

# Parts Catalog

## Admiral 30 Disc Scrubber



## Table of Contents

Front bounce protection (97077952).....	4
Chassis (97092233).....	6
Wheel suspension (97073803 A 7090-20) .....	8
Wheel suspension (97103725 A 7090-40) .....	10
Steering console - Dash boards (97073662-97077002).....	12
Accelerator pedal (97073688).....	14
Pedal, brake - Parking brake (97075386) .....	16
Steering (97073738) .....	18
Seat bracket (97073605) .....	20
Tank (Available! No.: 01077140) (01077140).....	22
Hopper cover (97078505).....	26
Suction unit (97079370) .....	28
Brush lifter (97092829) .....	30
Brush head (97073639 7090-33) .....	34
Brush head (97093777 7090-33) .....	38
Wiper, R.H. and L.H. (97083240-97083331).....	42
Squeegee cpl. (until ser.no.: B Admiral_32_0024_4) (99709033BT135) .....	44
Squeegee (from ser. no.: B Admiral_32_0025_?) (99709033BT156) .....	52
Squeegee (99709010BT159) .....	66
Electric (97107627).....	76
Labels (97100077) .....	82

This manual covers all standard Admiral 30 models:

**Model No.**

The machine will provide excellent service. However, the best results will be obtained if:

- The machine is operated with reasonable care.
- The machine is maintained regularly per the maintenance schedule in the instruction manual provided.
- The machine is maintained with PowerBoss OEM supplied or equivalent parts.

All right side and left side references to the machine are determined by facing the direction of forward travel. Parts may be ordered by phone or mail from any PowerBoss parts and service center. Before ordering parts or supplies be sure to have your machine model number and serial number handy.

Fill out the data block below for future reference.

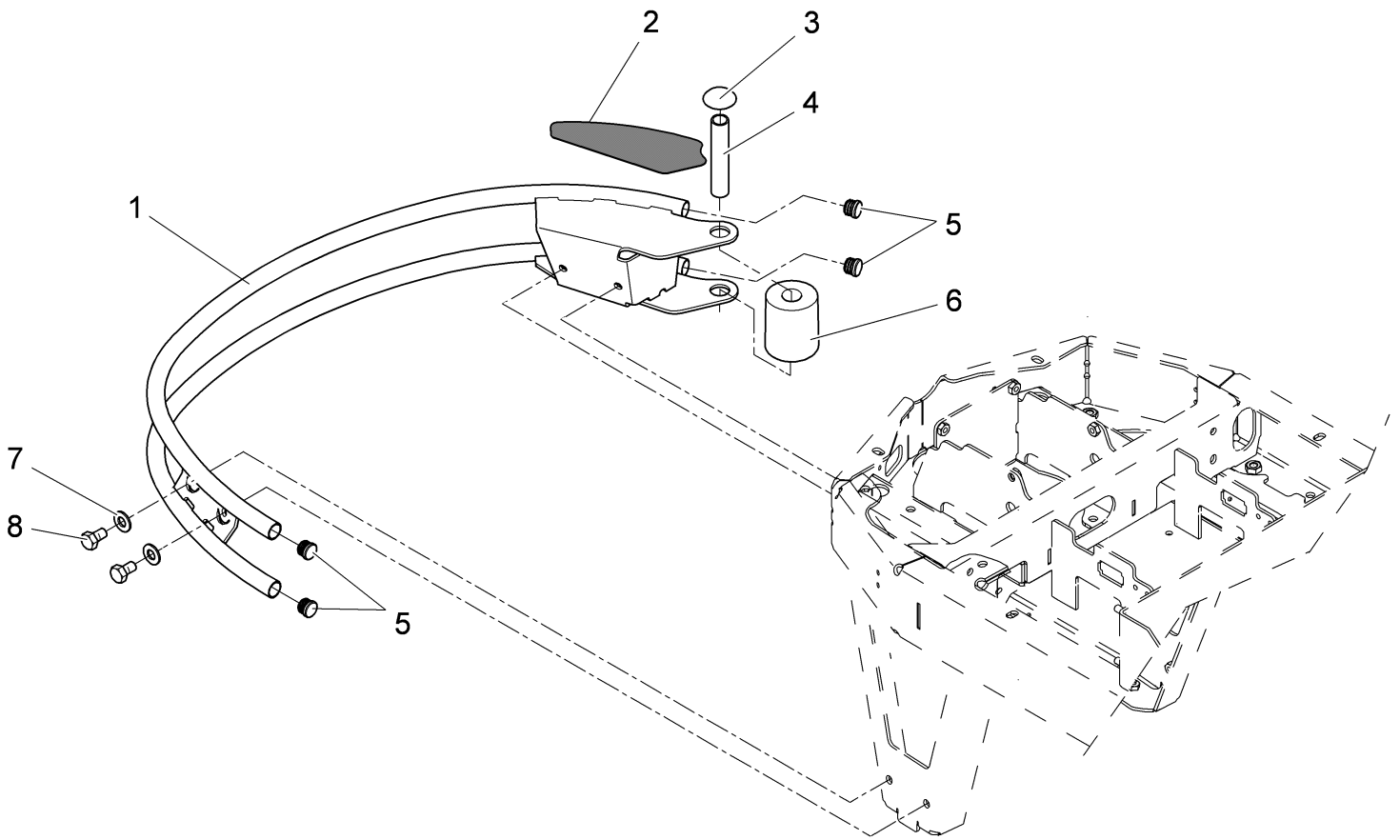
MACHINE DATA Fill Out At Installation	
Model:	Admiral 30
Serial Number:	_____
Sales Rep or Dealer:	_____
Date of Install:	_____
Manual p/n:	4100016

All information contained in this manual is current at the time of printing However, PowerBoss Reserves the right to make changes at any time without notice.

© 2011, Powerboss, Inc., Printed in USA

All rights reserved. This manual may not be copied or reproduced in any form, without the written permission of PowerBoss, Inc.

Front bounce protection (97077952)

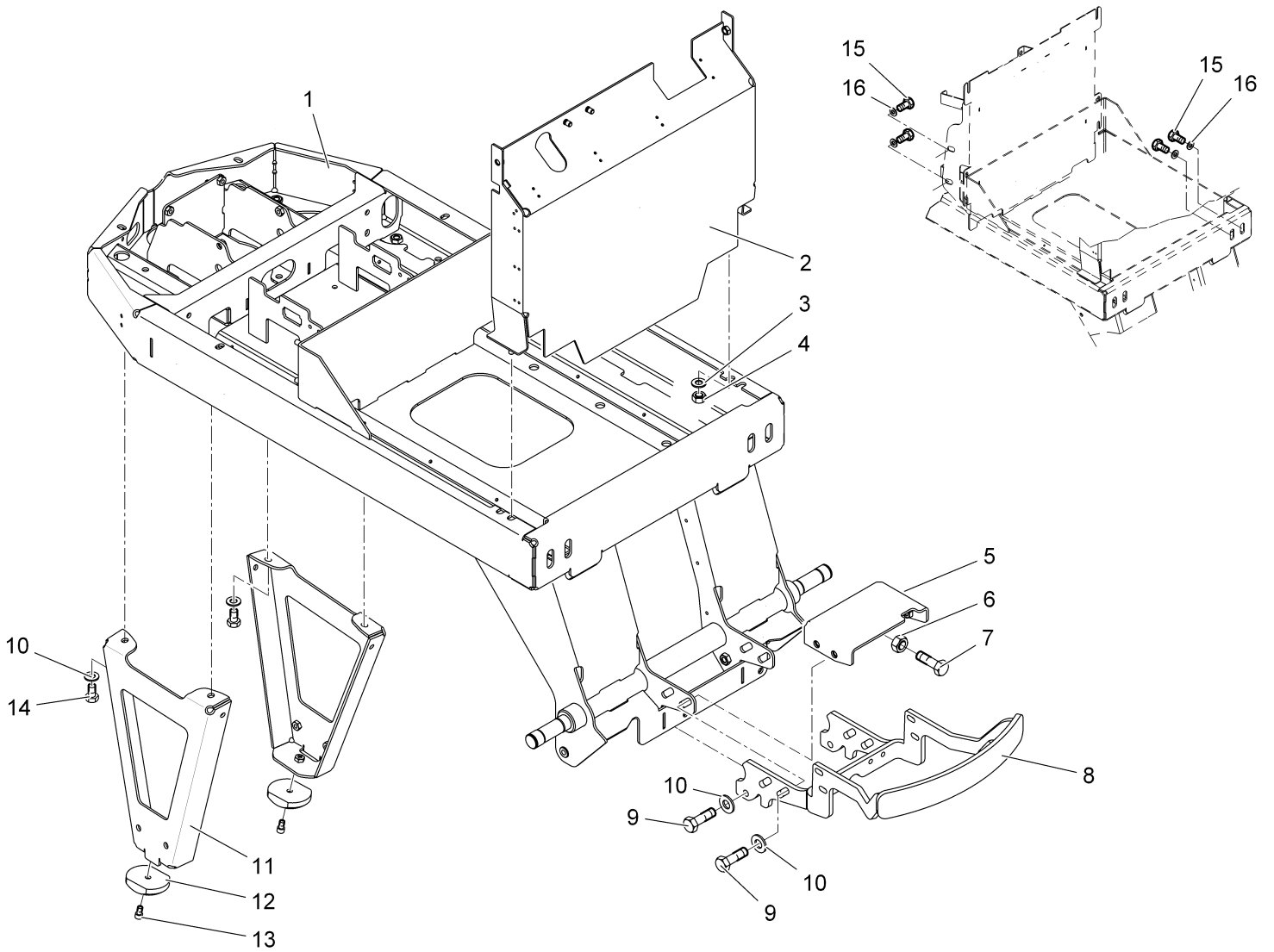




**Front bounce protection (97077952)**

<b>Item</b>	<b>Part number</b>	<b>Description</b>	<b>Qty.</b>	<b>Remarks</b>
1	01071630	Tube bow	1	
2	01071230	Decal	1	
3	00072270	Thrust washer	1	
4	00901590	Pipe	1	
5	01073310	Drain plug	4	
6	01057290	Rejecting role	1	
7	00740090	Detent edged washer	2	
8	00053090	Hexagon screw	2	

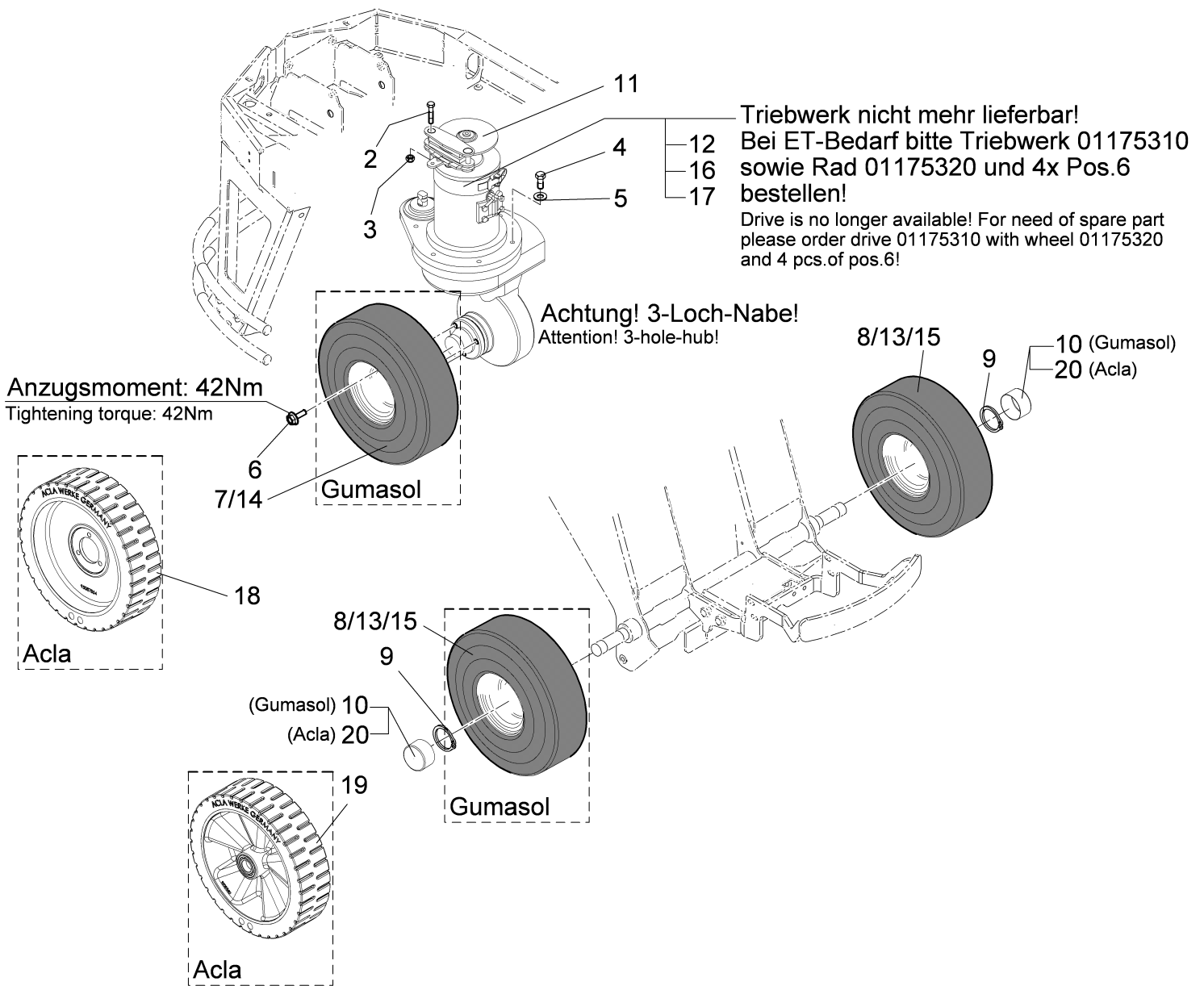
Chassis (97092233)



**Chassis (97092233)**

Item	Part number	Description	Qty.	Remarks
1	03006920	Chassis	1	
2	03000260	Sheet metal	1	
3	00740090	Detent edged washer	4	
4	00051510	Hexagon nut	4	
5	03000270	Plate, cpl.	1	
6	00053360	Hexagon nut	1	
7	00053170	Hexagon screw	1	
8	01071640	Starting protection rear side	1	
9	00053160	Hexagon screw	4	
10	00740290	Detent edged washer	8	
11	01071240	Support plate	2	
12	01070970	Stay	2	
13	00154410	Cylinder head screw	2	
14	00021130	Hex.bolt	4	
15	00053090	Hexagon screw	8	
16	00879170	Washer	8	

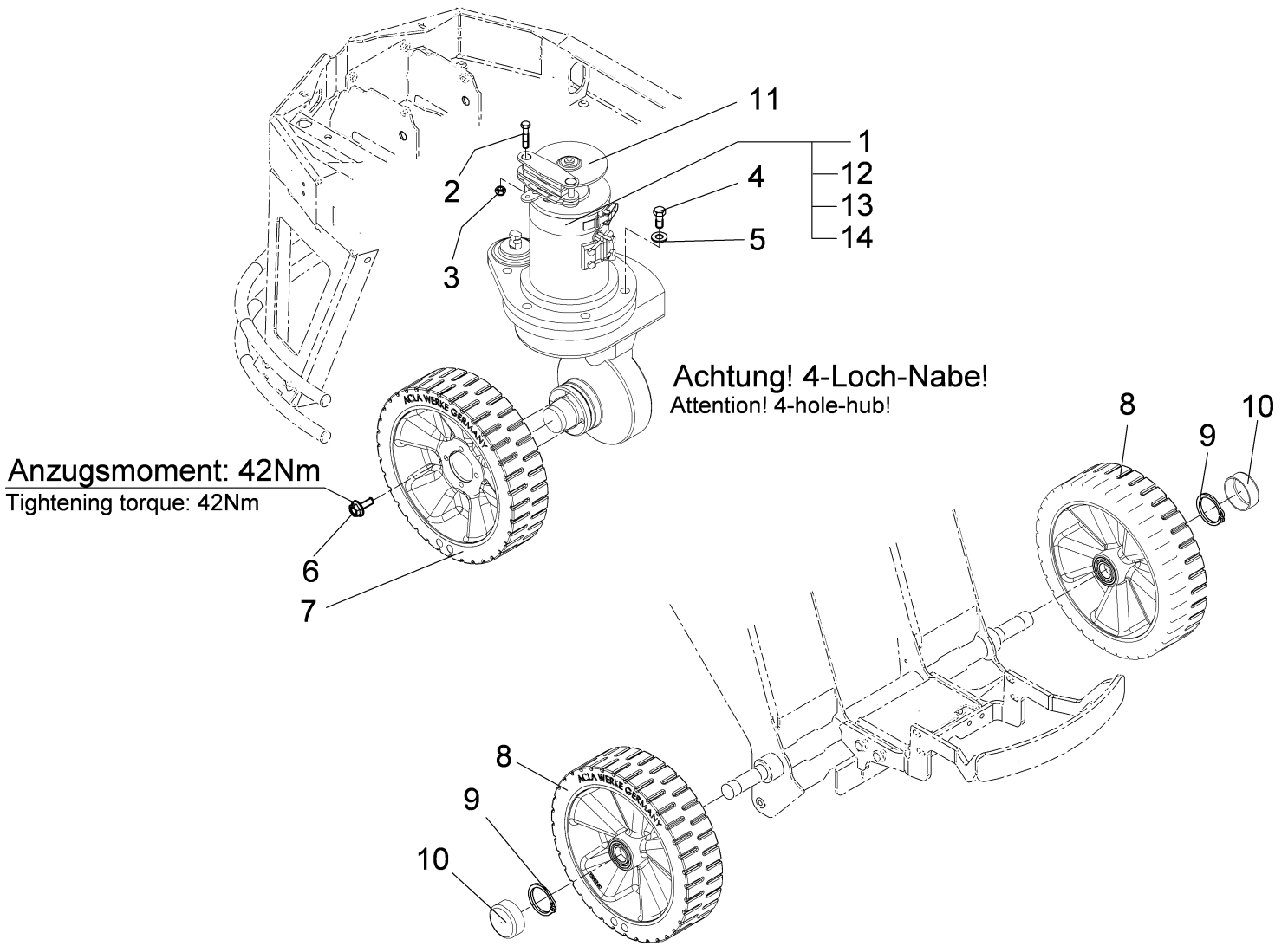
**Wheel suspension (97073803 A 7090-20)**



**Wheel suspension (97073803 A 7090-20) 2002-07-01 --> 2008-11-14**

Item	Part number	Description	Qty.	Remarks
1	01070960	One wheel drive	1	
2	00535110	Hex.bolt	2	
3	00051520	Hexagon nut	2	
4	00055460	Hex.bolt	6	
5	00740290	Detent edged washer	6	
6	01171260	Hexagon screw	3	Tightening torque: 42 Nm
7	01070950	Front wheel, cpl.	1	
8	01070940	Rear wheel, cpl. incl. ball bearing	2	
9	00022460	Retaining ring	2	
10	01071250	Cap	2	
11	01073660	Brake repair set	1	
12	01075790	Set (4pc.) carbon brush	1	
13	00281050	Deep groove ball bearing	4	
14	01076120	Rim front	2	
15	01076130	Rim rear	2	
16	01174180	Cap	1	
17	01174190	Protecting ring	1	
18	01071800	Wheel	1	
19	01071650	Wheel	2	
20	01171530	Cap	2	

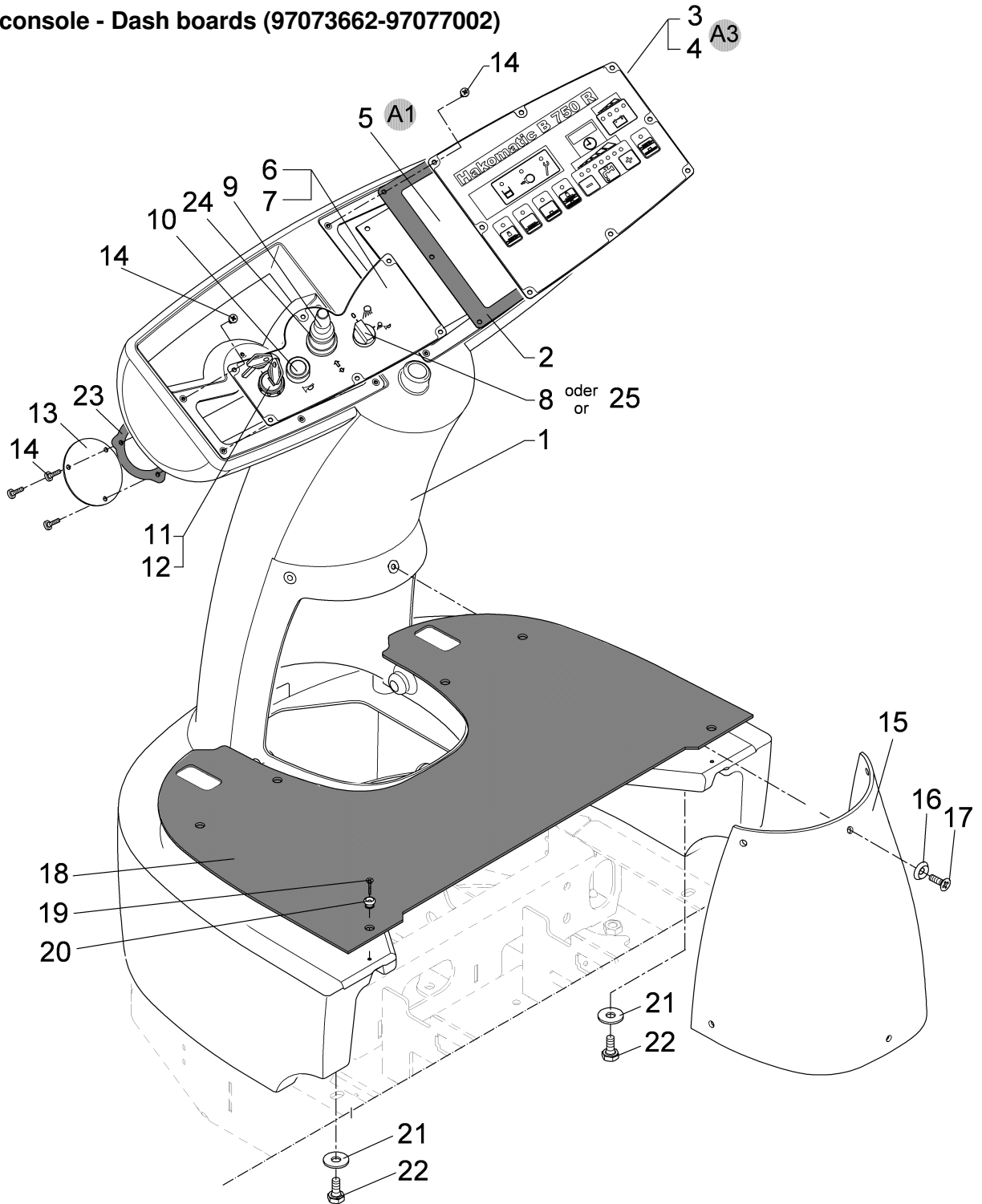
Wheel suspension (97103725 A 7090-40)



Wheel suspension (97103725 A 7090-40) 2008-11-15 -->

Item	Part number	Description	Qty.	Remarks
1	01175310	One wheel drive	1	
2	00535110	Hex.bolt	2	
3	00051520	Hexagon nut	2	
4	00055460	Hex.bolt	6	
5	00740290	Detent edged washer	6	
6	01171260	Hexagon screw	4	Tightening torque: 42 Nm
7	01175320	Wheel	1	
8	01071650	Wheel	2	
9	00022460	Retaining ring	2	
10	01171530	Cap	2	
11	01073660	Brake repair set	1	
12	01075790	Set (4pc.) carbon brush	1	
13	01174180	Cap	1	
14	01174190	Protecting ring	1	

Steering console - Dash boards (97073662-97077002)

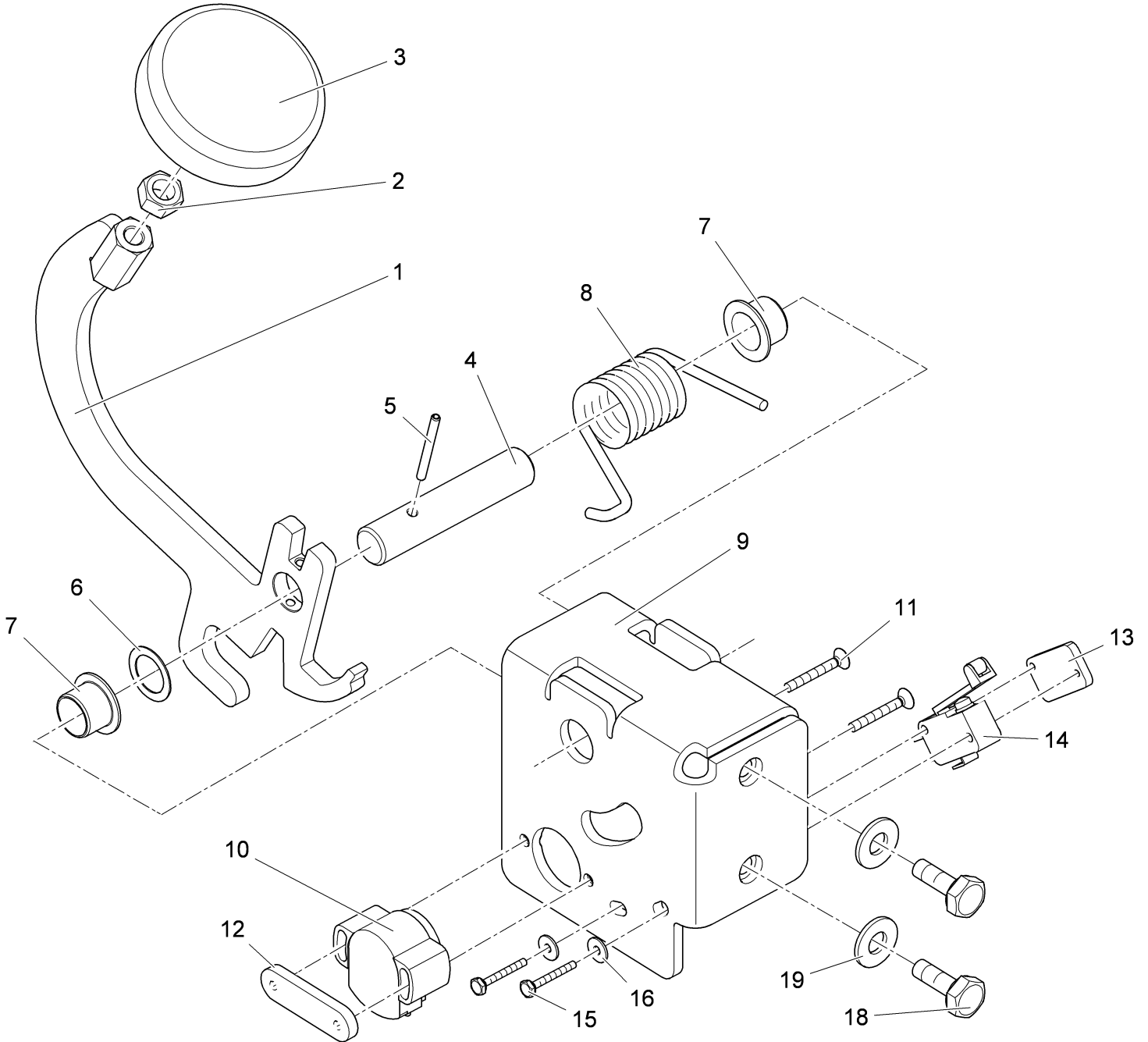




**Steering console - Dash boards (97073662-97077002) 2003-05-01 -->**

Item	Part number	Description	Qty.	Remarks
1	01073070	Steering	1	
2	01070980	Seal	1	
3	01071660	Sheet metal	1	
4	00712220	Control panel standard	1	
5	01175790	Control module	1	
6	01071670	Sheet metal	1	
7	01070990	Seal	1	
8	01073320	Rotary switch	1	from option 7091: Warning light "Forward drive"
9	00697630	Switch	1	
10	00133770	Press switch	1	
11	00021710	Key switch	2	
12	00745890	Set (2pc.) key	1	
13	03000280	Cap	1	
14	01072790	Truss head screw	17	
15	01170930	Hood	1	
16	00157690	Annular plate	6	
17	00154680	Countersunk screw	1	
18	01071680	Bottom plate	1	
19	01073120	Amtec screw	6	
20	01073130	Knob	6	
21	00740080	Washer	4	
22	00053080	Hexagon screw	1	
23	01072000	Seal	1	
24	01074110	Rubber cap	1	
25	00740360	Cable sleeve	1	

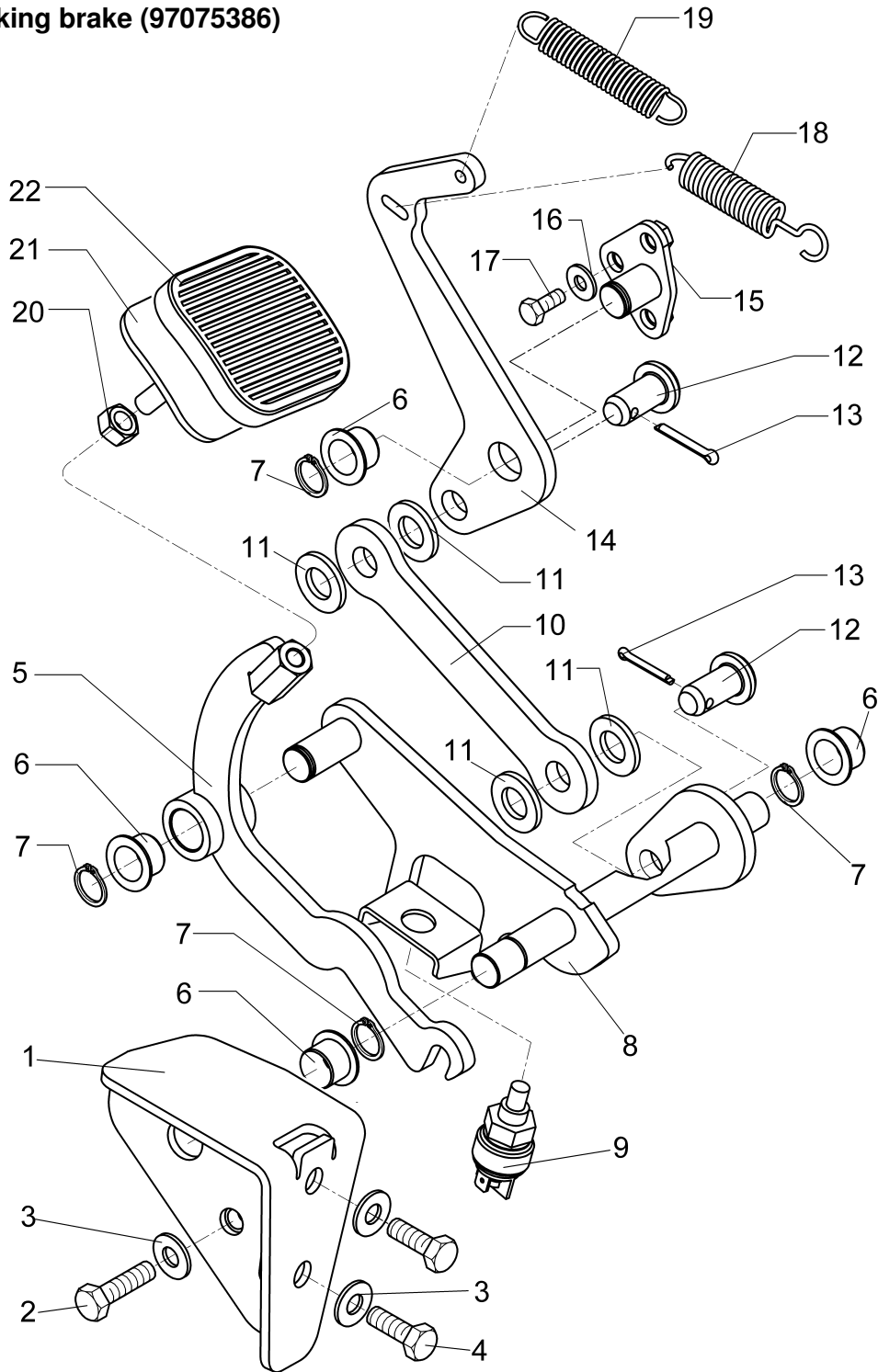
**Accelerator pedal (97073688)**



Accelerator pedal (97073688) 2003-05-01 -->

Item	Part number	Description	Qty.	Remarks
1	01071260	Cam	1	
2	00053350	Hexagon nut	1	
3	01071270	Sealing cover	1	
4	01071280	Shaft	1	
5	01073260	Dowel pin	1	
6	00906020	Adjusting washer	1	
7	01058400	Plain bearing bush	2	
8	01073140	Leg spring	1	
9	03000300	U-bow	1	
10	01058390	Potentiometer, cpl.	1	
11	00737690	Countersunk screw	1	
12	01074850	Thread base plate	1	
13	01074840	Thread base plate	1	
14	00975510	Micro switch	2	
15	00022180	Hex.bolt	2	
16	00747400	Washer	2	
18	00053090	Hexagon screw	2	
19	00740090	Detent edged washer	2	

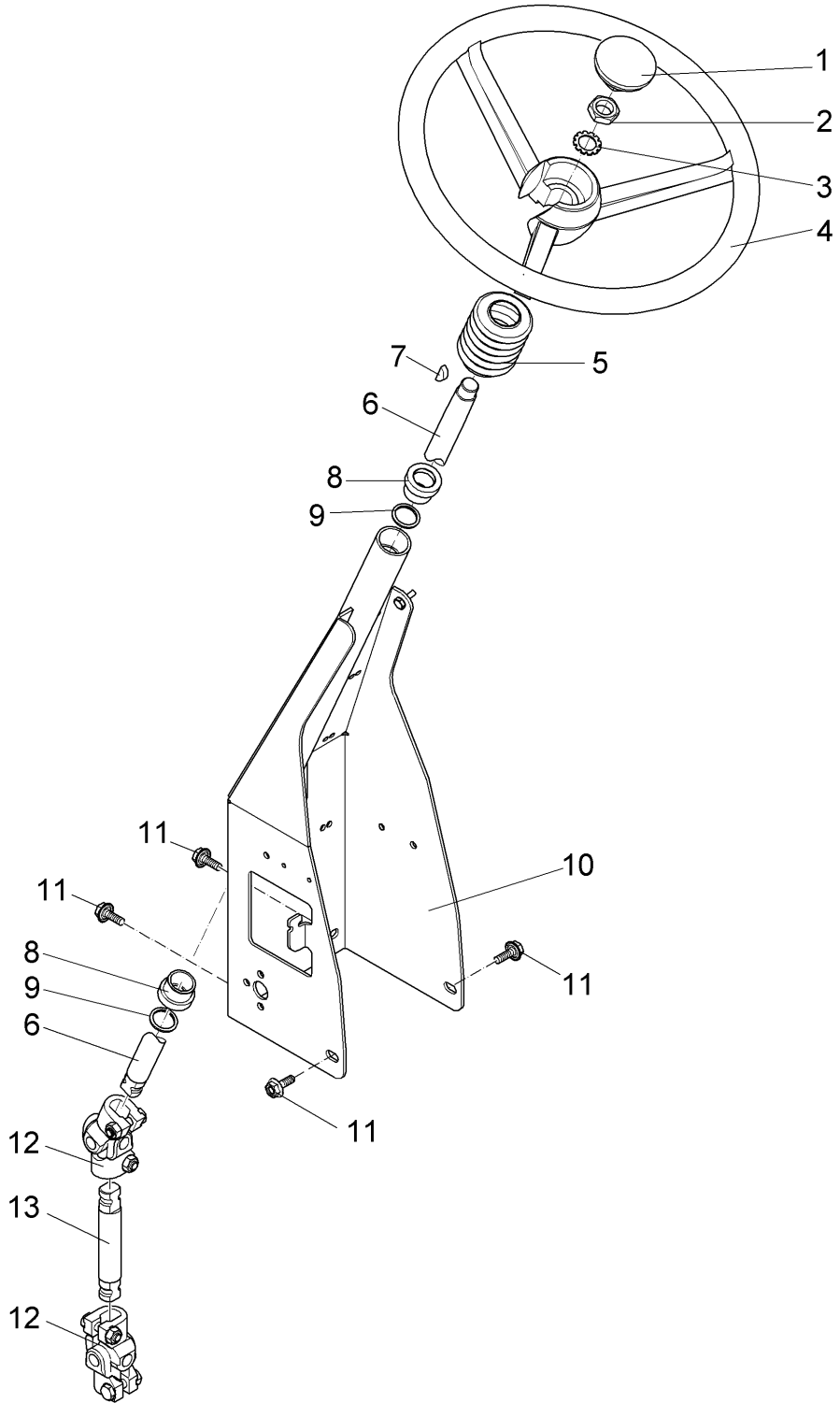
**Pedal, brake - Parking brake (97075386)**



**Pedal, brake - Parking brake (97075386)**

Item	Part number	Description	Qty.	Remarks
1	03000310	Angle, cpl.	1	
2	00053110	Hexagon screw	1	
3	00740090	Detent edged washer	3	
4	00053090	Hexagon screw	2	
5	01071290	Lever	1	
6	01058400	Plain bearing bush	5	
7	00022440	Retaining ring	4	
8	01071300	Lever	1	
9	00028680	Stop light switch	1	
10	01071310	Bracket	1	
11	00053770	Washer	4	
12	00901510	Bolt	2	
13	00553580	Cotter pin	2	
14	01071320	Lever	1	
15	01071330	Pin	1	
16	00730940	Detent edged washer	3	
17	00104500	Hexagon screw	3	
18	00127400	Tension spring	1	
19	00851210	Tension spring	1	
20	00053350	Hexagon nut	1	
21	01071340	Pedal plate	1	
22	01071350	Pedal rubber	1	

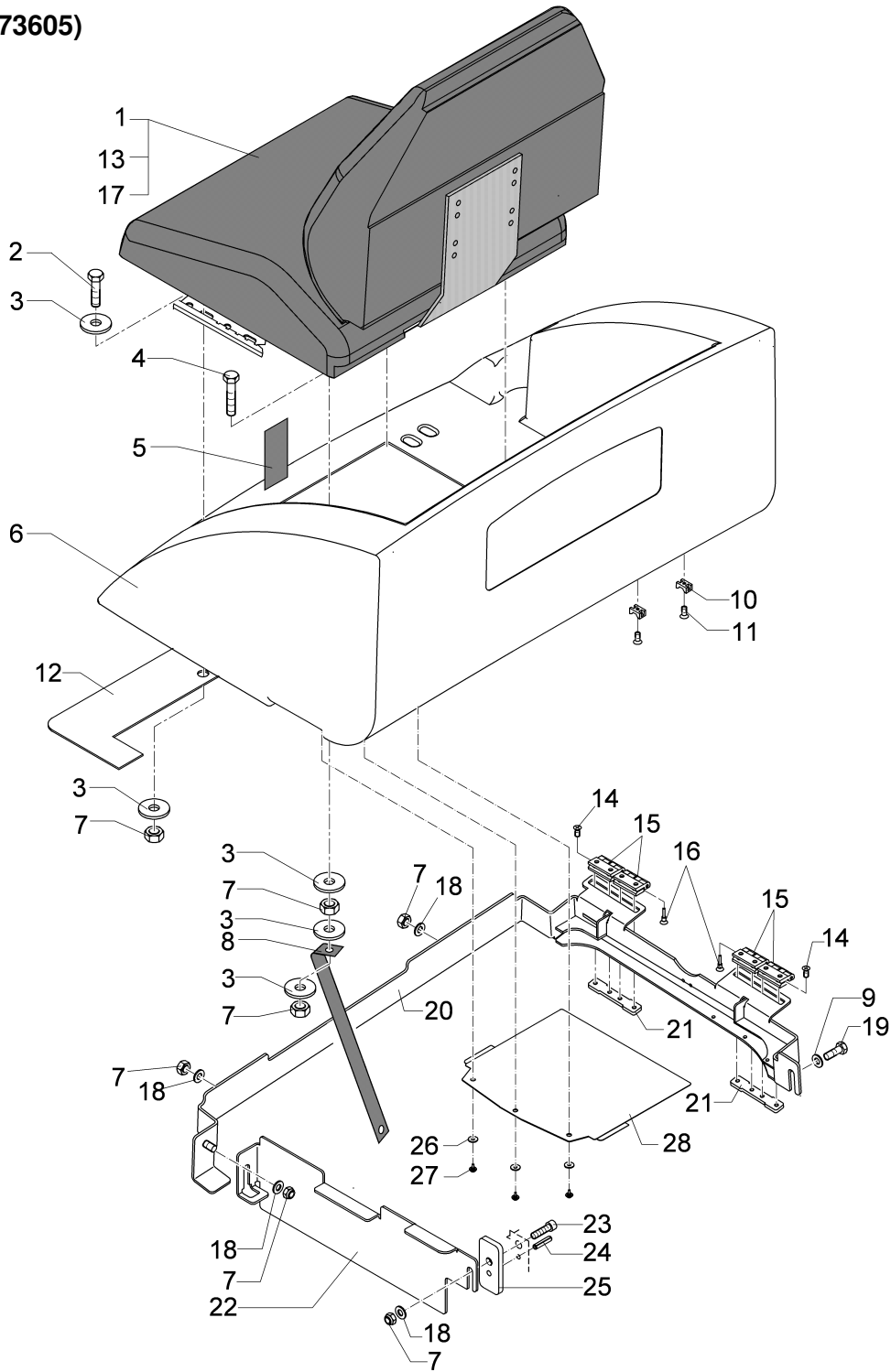
Steering (97073738)



**Steering (97073738)**

Item	Part number	Description	Qty.	Remarks
1	01140650	Cap	1	
2	00074350	Hex. Nut	1	
3	00075290	Toothed washer	1	
4	00770220	Steering wheel	1	
5	01054880	Bellows	1	
6	00980760	Shaft	1	
7	00153600	Woodruff key	1	
8	00523630	Bushing	2	
9	00554400	O-ring oil resistant	2	
10	03000320	Holder steering wheel	1	
11	00959310	Hex.bolt	4	
12	00746040	Cardan joint	2	
13	00975430	Shaft	1	

**Seat bracket (97073605)**

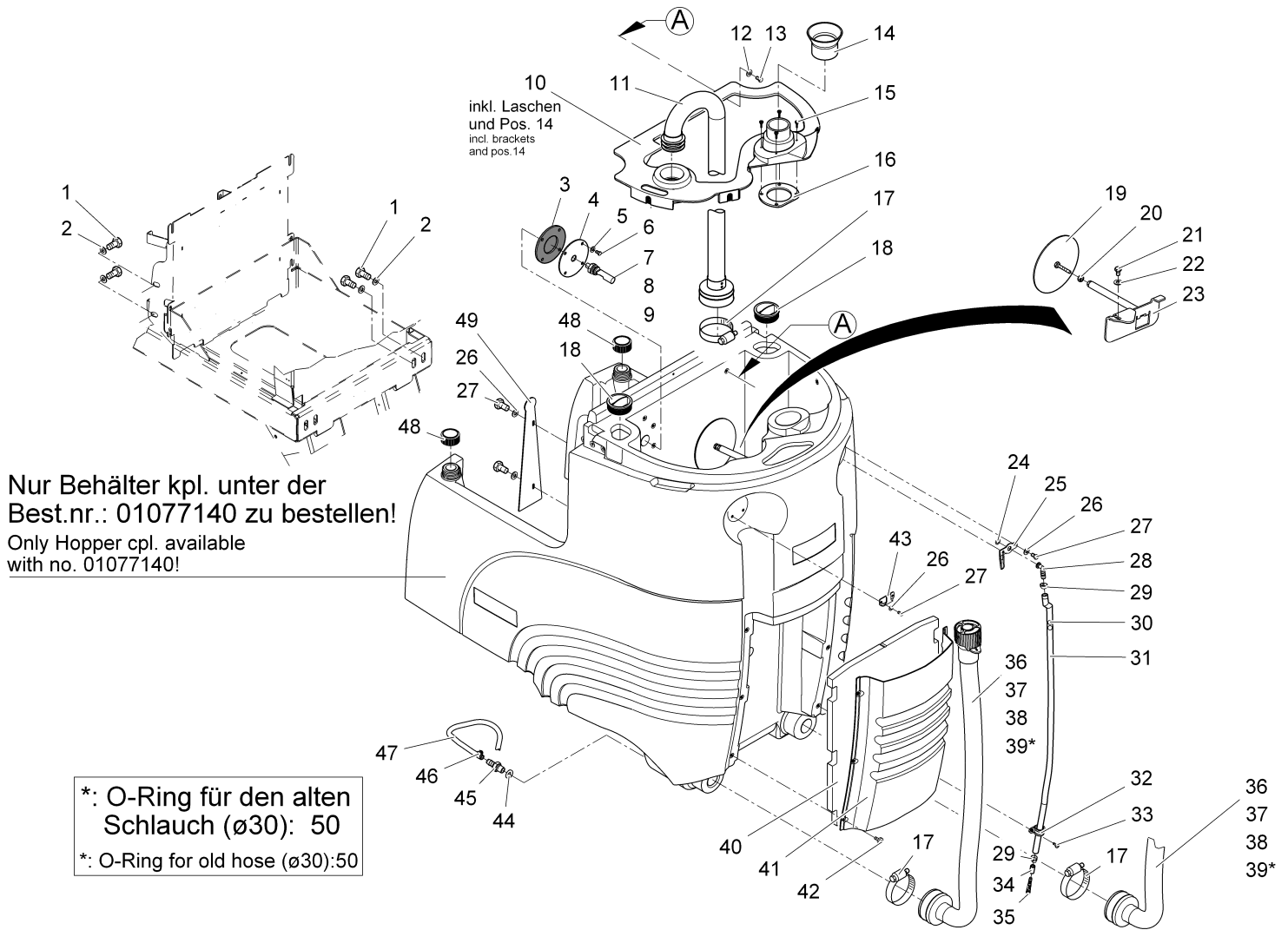




Seat bracket (97073605) 2003-05-01 -->

Item	Part number	Description	Qty.	Remarks
1	01071360	Seat	1	
2	00133700	Hexagon screw	3	
3	00042900	Washer	6	
4	00053260	Hex.bolt	1	
5	01071710	Decal "Instruction manual"	1	
6	03000330	Seat console	1	
7	00051510	Hexagon nut	9	
8	01055740	Belt	1	
9	00740090	Detent edged washer	1	
10	00780710	Socket	2	
11	00127340	Tapping screw	2	
12	03000630	Plate contact	1	
13	01073290	Micro switch	1	
14	00073160	Countersunk screw	8	
15	00029230	Hinge	4	
16	01063420	Self tapping screw	8	
17	XXXXXXXX	no part-No. til yet	1	Chair cushion SC76 incl. seat switch 01073290
18	00053750	Washer	4	
19	00053090	Hexagon screw	1	
20	03000340	Plate	1	
21	01072970	Adjusting latch	2	
22	03000620	Intermediate sheet	1	
23	00103300	Socket head screw	1	
24	00107140	Dowel pin	1	
25	01072960	Adjusting latch	1	
26	00557150	Washer	3	
27	01170850	Screw	3	
28	01078280	Bag	1	

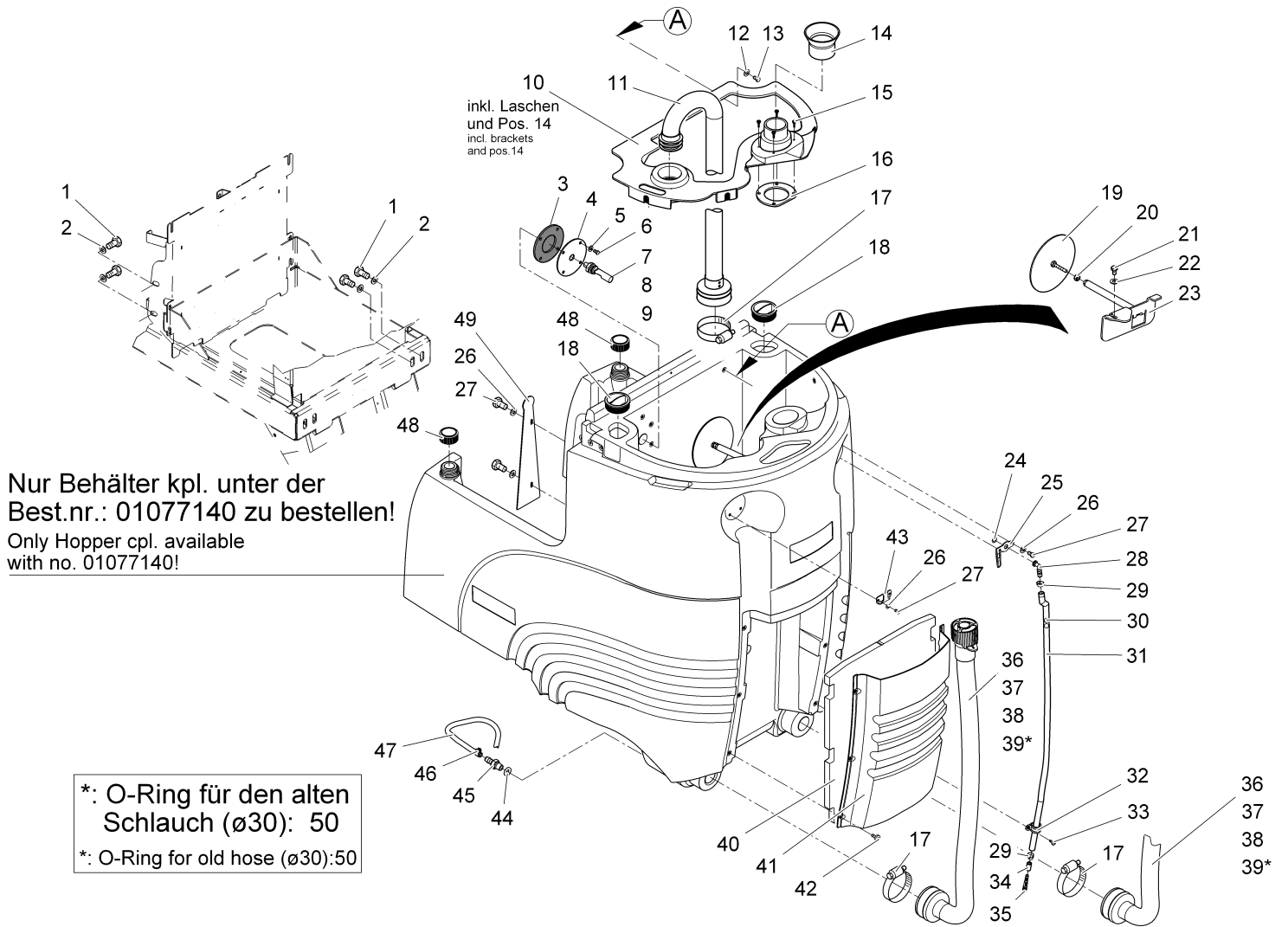
**Tank (Available! No.: 01077140) (01077140)**



**Tank (Available! No.: 01077140) (01077140) 2005-03 -->**

Item	Part number	Description	Qty.	Remarks
1	00053090	Hexagon screw	8	
2	00879170	Washer	8	
3	03000360	Sheet metal	1	
4	01070910	Seal	1	
5	00102150	Washer	4	
6	01071890	Hex.bolt	4	
7	00861620	Float switch	1	
8	00903180	Plastic cover	1	
9	00903170	Tab	1	
10	01076000	Swash guard	1	
11	01075980	Hose	1	
12	00854210	Washer	5	
13	01071890	Hex.bolt	5	
14	01076650	Connection	1	
15	01179350	Screw	4	
16	01075990	Gasket	1	
17	00736200	Hose clamp	3	
18	01075490	plug	2	
19	03000380	Pressure plate	1	
20	00971400	Hexagon nut	1	
21	01071740	Hex.bolt	1	
22	00902280	Washer	1	
23	03000370	Support, cpl.	1	
24	00045750	O-ring oil resistant	1	
25	01171470	Hose support	1	
26	00053720	Washer	3	
27	00054680	Hex.bolt	3	
28	01171490	Angle socket	1	
29	01171480	Hose clamp	1	
30	01072170	Ball	2	
31	01071790	Hose	780mm	
32	00130250	Pipe clamp	1	
33	00051320	Fillister-head screw	1	
34	01064890	Hose	20 mm	
35	01161210	Reducing fitting	1	
36	01072160	Hose, cpl.	2	

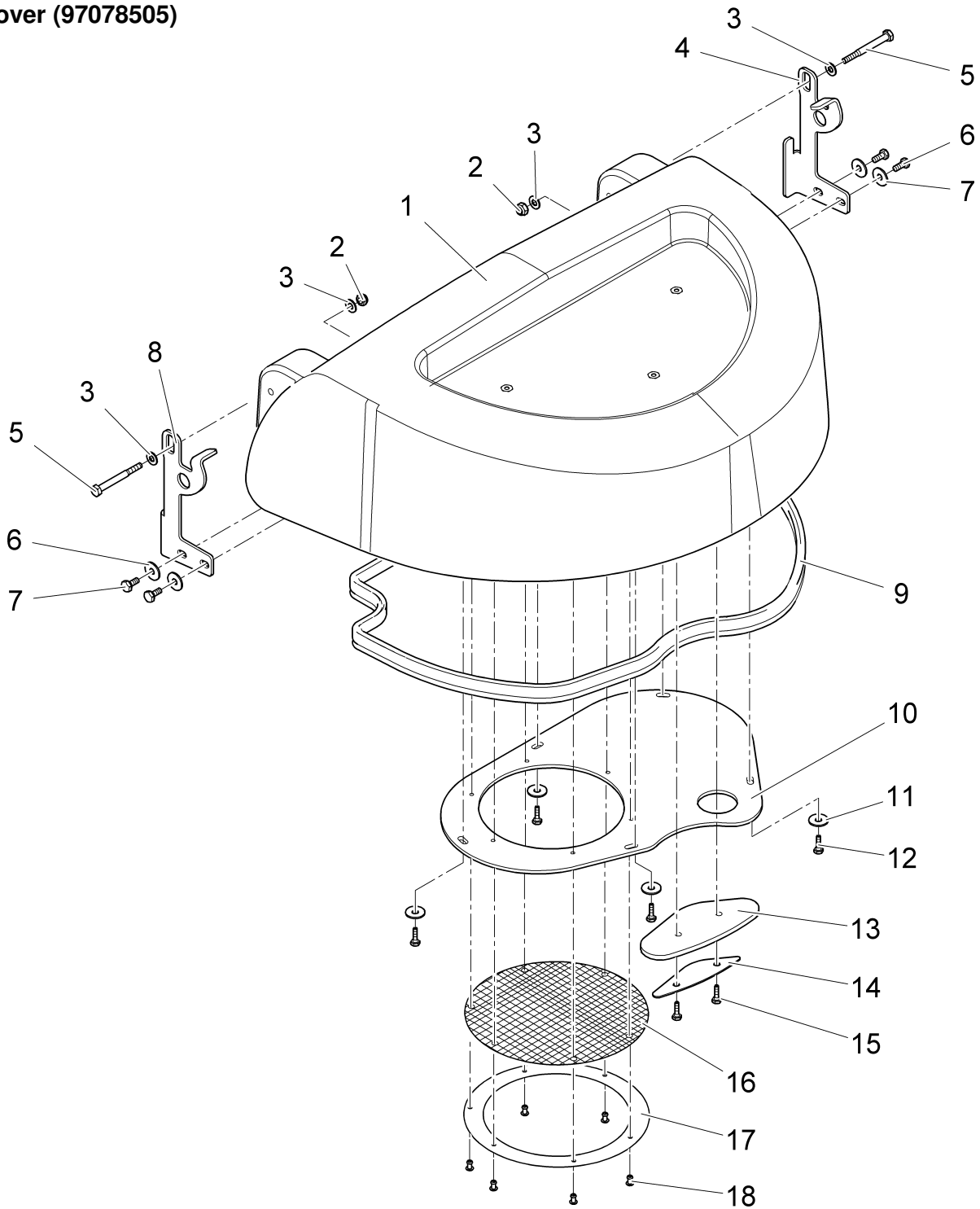
**Tank (Available! No.: 01077140) (01077140)**



**Tank (Available! No.: 01077140) (01077140) 2005-03 -->**

Item	Part number	Description	Qty.	Remarks
37	00906110	Cover	2	
38	00906100	Fillister-head screw	4	
39	01079300	O-Ring	2	
40	01072150	Insulating mat	1	
41	01173620	Cover	1	
42	00556950	Fillister-head screw	6	
43	00903160	Hook	1	
44	00057720	O-ring oil resistant	1	
45	01072180	Screwing in connecting piece	1	
46	00056960	Clamp	1	
47	00711670	Hose	68 lg	
48	01072130	Cover	2	
49	03000390	Sheet metal	1	
50	00107270	O-ring	2	for old version of hoses

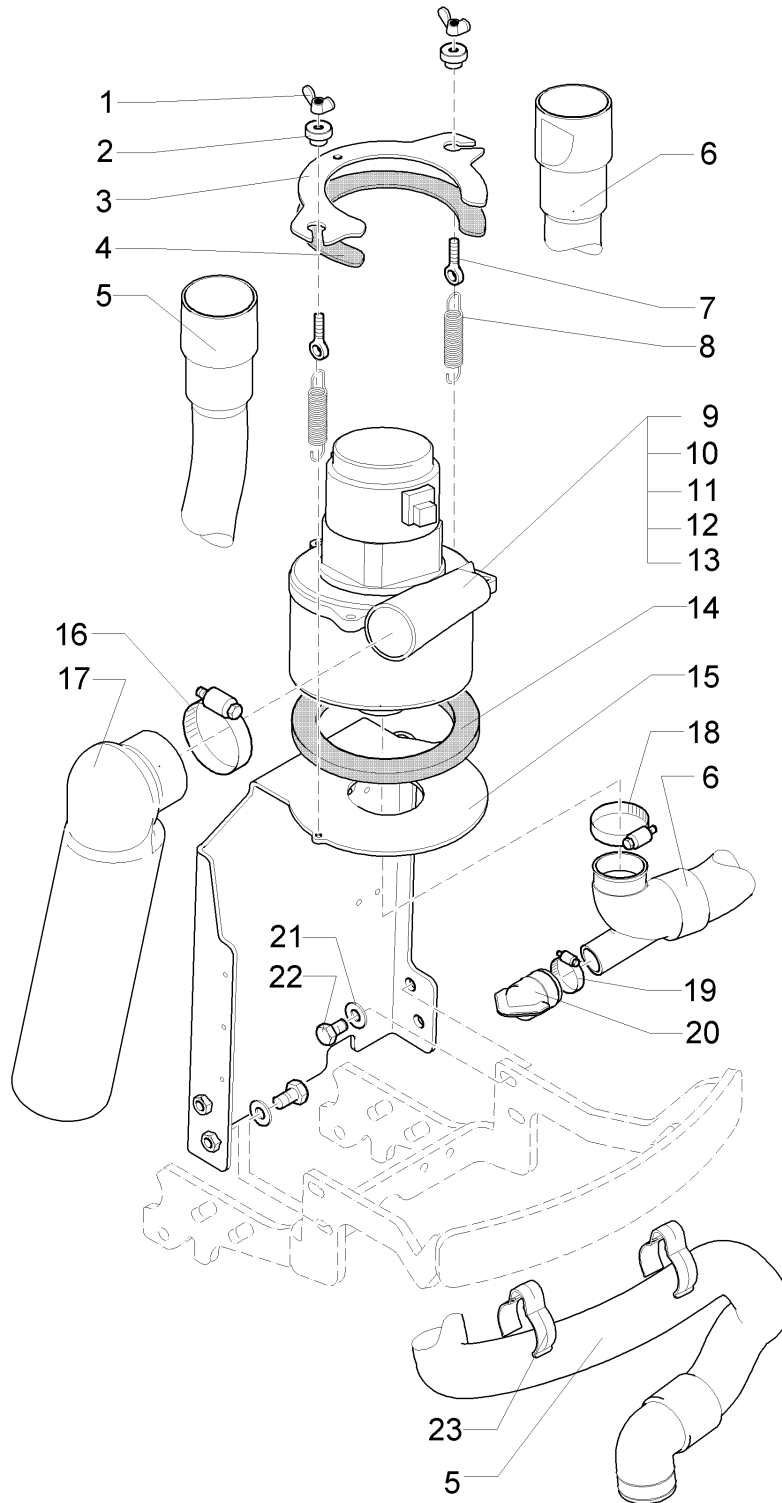
Hopper cover (97078505)



Hopper cover (97078505) 2004-01-01 -->

Item	Part number	Description	Qty.	Remarks
1	01170940	Cover, cpl.	1	
2	00051510	Hexagon nut	2	
3	00053750	Washer	4	
4	01071730	Sheet metal	1	
5	00153400	Hex.bolt	2	
6	01071740	Hex.bolt	4	
7	00902280	Washer	4	
8	01071720	Sheet metal	1	
9	01071770	Sealing profile	1780mm	
10	01170950	Plate	1	
11	00854210	Washer	7	
12	01071750	Hexagon screw	5	
13	01075580	Gasket	1	
14	01075590	Sheet metal	1	
15	00854190	Hexagon screw	2	
16	01070920	Strainer	1	
17	03000440	Flange	1	
18	01073330	Rivet	6	

**Suction unit (97079370)**

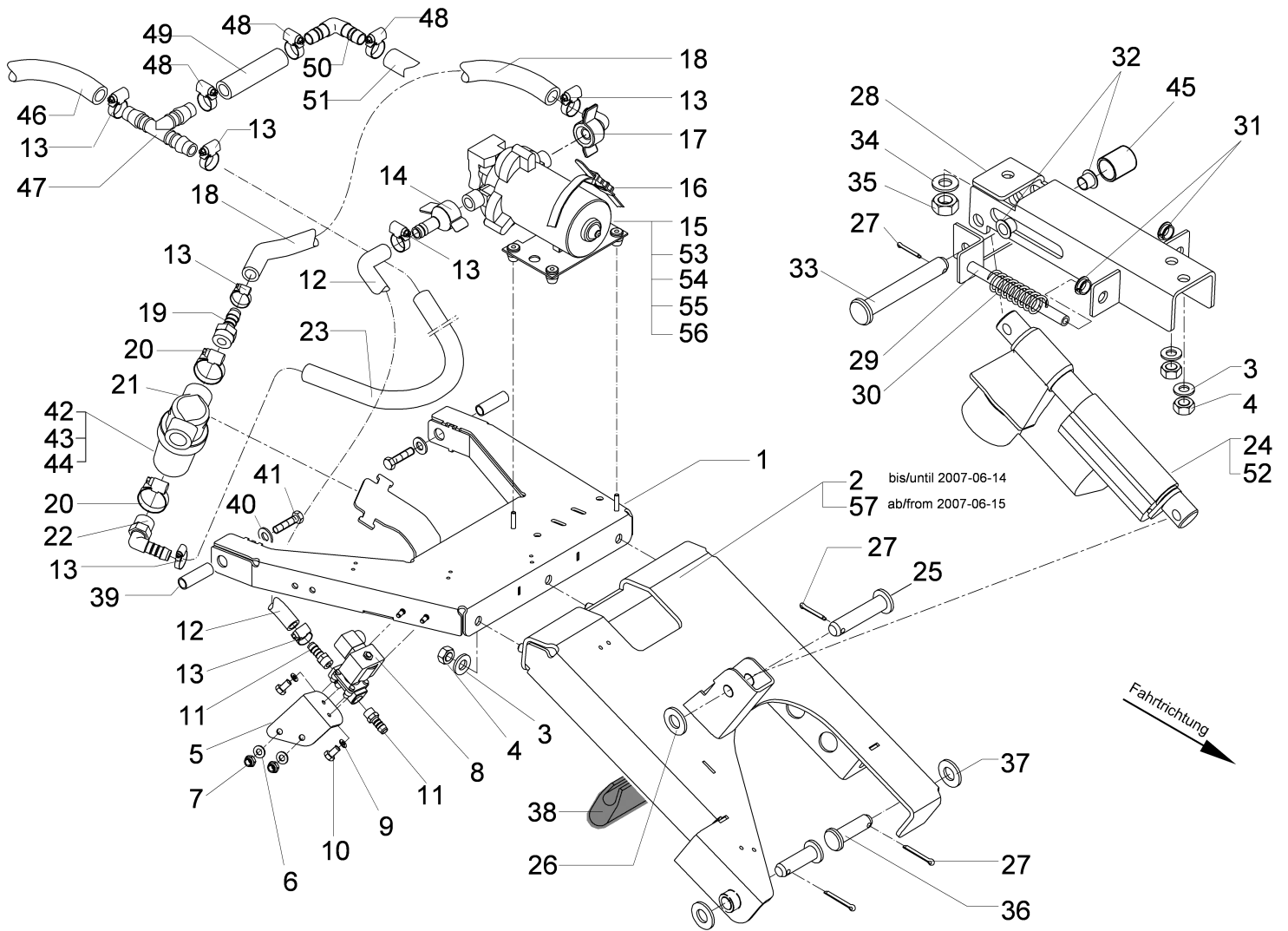




**Suction unit (97079370)**

Item	Part number	Description	Qty.	Remarks
1	00054020	Wing nut	2	
2	00903210	Knurled nut	2	
3	01071540	Clamping sheet metal	1	
4	01071550	Seal	1	
5	01071560	Hose	1	
6	01071570	Hose	1	
7	00508770	Eye bolt	2	
8	00109410	Tension spring	2	
9	00543510	Induction engine	1	
10	00904050	Toroidal core	1	
11	00903190	Tab	1	
12	00903180	Plastic cover	1	
13	00048840	Carbon brush	2	
14	01071580	Seal	1	
15	03000450	Support, cpl.	1	
16	00732130	Hose clamp	1	
17	00471570	Hose	1	
18	01071810	Hose clamp	1	
19	00733160	Hose clamp	1	
20	00054560	Valve	1	
21	00740090	Detent edged washer	4	
22	00077110	Hexagon screw	4	
23	01071590	Hose clip	2	

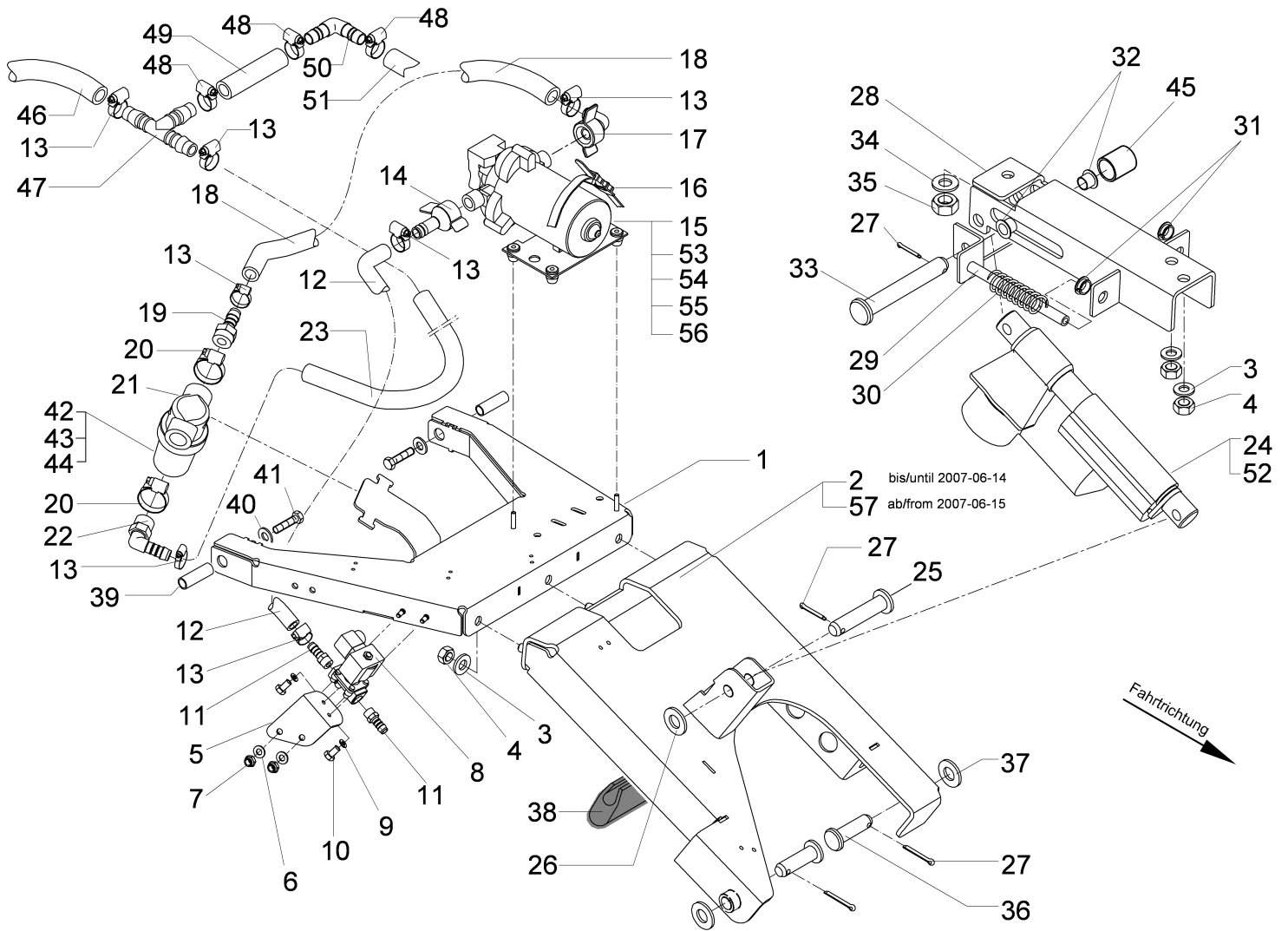
**Brush lifter (97092829)**



Brush lifter (97092829) 2003-05-01 -->

Item	Part number	Description	Qty.	Remarks
1	01077330	Lifting fork	1	
2	01170970	Rocker bracket, cpl.	1	until appr. 2007-06-14!
3	00053750	Washer	5	
4	00051510	Hexagon nut	5	
5	03000470	Support	1	
6	00053720	Washer	2	
7	00051340	Hexagon nut	2	
8	01071000	Electrovalve	1	
9	00053710	Washer	2	
10	00058580	Hex.bolt	2	
11	00976140	Screwing in connecting piece	1	
12	00200170	PVC hose	200mm	
13	01015350	Hose clamp	8	
14	01071450	Screwing	1	
15	00543750	Pump	1	
16	01073340	Cable tie	1	
17	00154140	Screwed angle fitting	1	
18	00200170	PVC hose	290mm	
19	01071470	Screwing in connecting piece	1	
20	01071810	Hose clamp	2	
21	01072850	Filter	1	
22	00971440	Angle socket	1	
23	00200170	PVC hose	400mm	
24	01071820	Lifting spindle	1	
25	00059530	Bolt	1	
26	00151200	Washer	1	
27	00553580	Cotter pin	4	
28	03000490	Support, cpl.	1	
29	03003130	Guide holder	1	
30	01001180	Pressure spring	2	
31	00967690	Slide bearing	2	
32	01072930	Plain bearing bush	2	
33	00879630	Bolt	1	
34	00053760	Washer	1	
35	00051500	Hexagon nut	1	
36	00901430	Bolt	2	

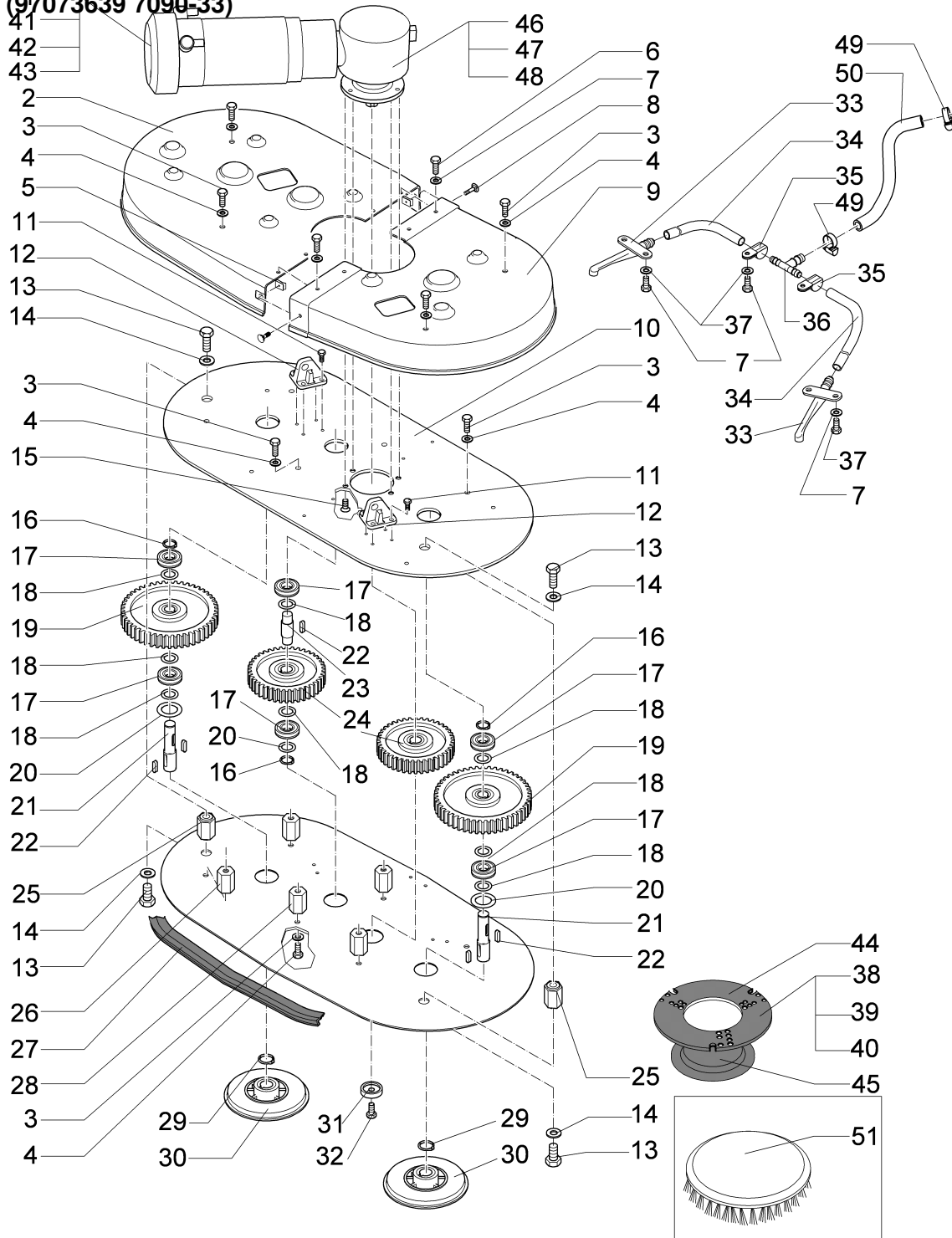
**Brush lifter (97092829)**



Brush lifter (97092829) 2003-05-01 -->

Item	Part number	Description	Qty.	Remarks
37	00053770	Washer	2	
38	01052820	Edge protection	200mm	
39	01073350	Pipe	2	
40	00962220	Washer	2	
41	00151790	Hexagon screw	2	
42	01071010	Filter insert	1	
43	01072830	Sealing ring	1	
44	01072840	Straining cap	1	
45	01072410	Bushing	1	
46	00200170	PVC hose	60mm	
47	01073020	T-piece	1	
48	00529390	Hose clamp	3	
49	00711670	Hose	70mm	
50	01073010	Angle connection piece	1	
51	00711670	Hose	500mm	
52	00962620	Clamp	1	
53	00559670	Case	1	
54	00083640	Plastic cover	1	
55	00083650	Plastic cover	1	
56	00903190	Tab	1	
57	01175300	Rocker	1	from appr. 2007-06-15!

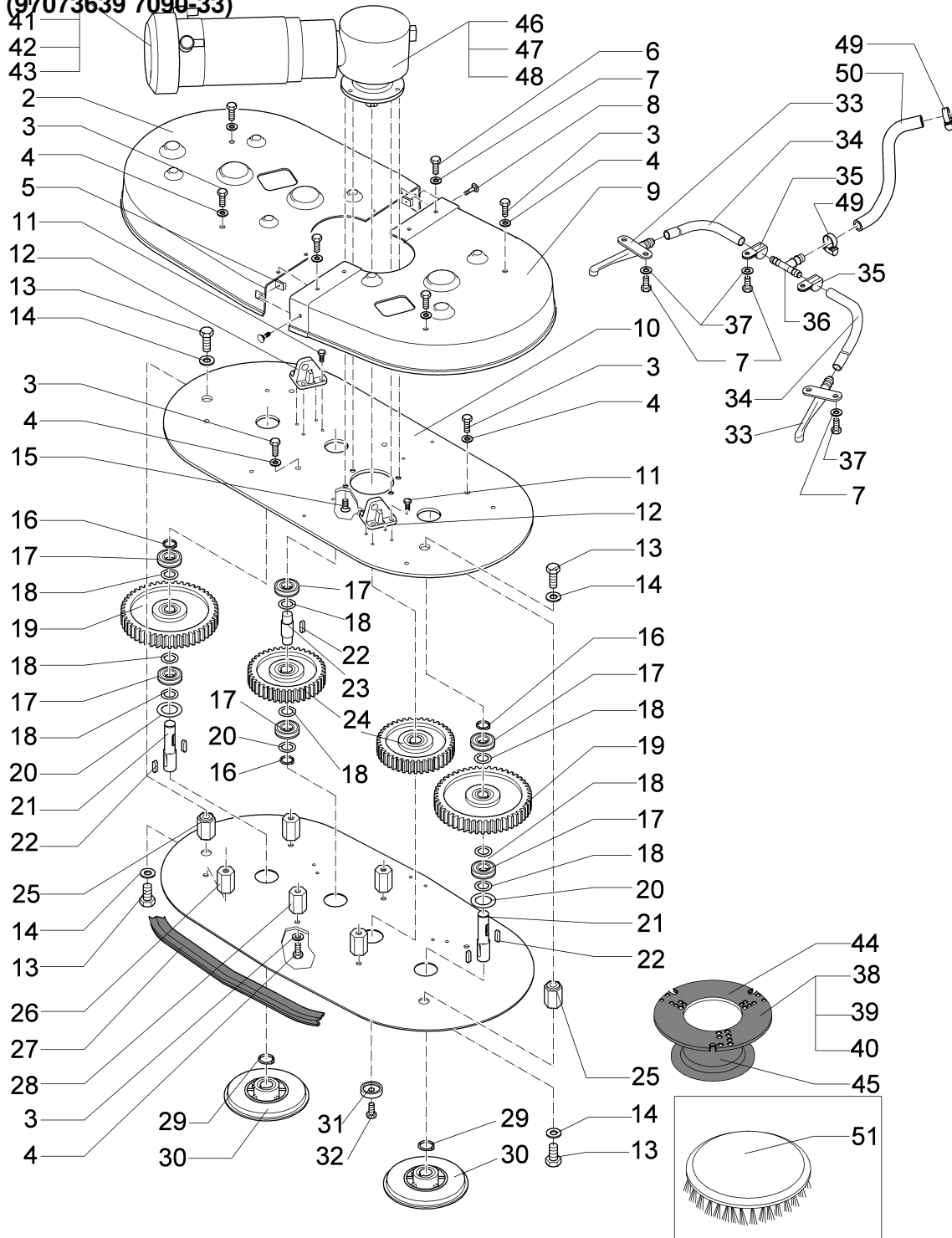
Brush head (97073639 7090-33)



**Brush head (97073639 7090-33) 1900-01-01 --> 2007-06-30**

Item	Part number	Description	Qty.	Remarks
1	01070930	Geared motor	1	
2	01071830	Cover	1	
3	00553690	Hex.bolt	16	
4	00053750	Washer	16	
5	00903540	Snap nut	2	
6	00053010	Hex.bolt	4	
7	00053730	Washer	12	
8	00905520	Screw	2	
9	01071840	Cover	1	
10	01071850	Plate	1	
11	00104500	Hexagon screw	8	
12	00901370	Bearing block	2	
13	00101160	Hexagon screw	4	
14	00053770	Washer	4	
15	00705440	Countersunk screw	4	
16	00022230	Retaining ring	3	
17	00901380	Deep groove ball bearing	6	
18	00155180	Adjusting washer	8	
19	00712890	Gear wheel	2	
20	01071860	Ring	3	
21	00959680	Shaft	2	
22	00121640	Feather key	5	
23	01071870	Shaft	1	
24	00901100	Gear wheel	2	
25	00959670	Spacer sleeve	2	
26	00037720	Plate	1	
27	00752350	Edge protection	1930mm	
28	00901350	Nut	6	
29	00054310	Retaining ring	2	
30	00512400	Carrier	2	
31	00736620	Washer	1	
32	00077110	Hexagon screw	1	
33	00861700	Spray tube	2	
34	00180190	Hose	380mm	
35	00821550	Tube clamp	2	
36	00901310	T-reducer muff	1	

Brush head (97073639 7090-33)

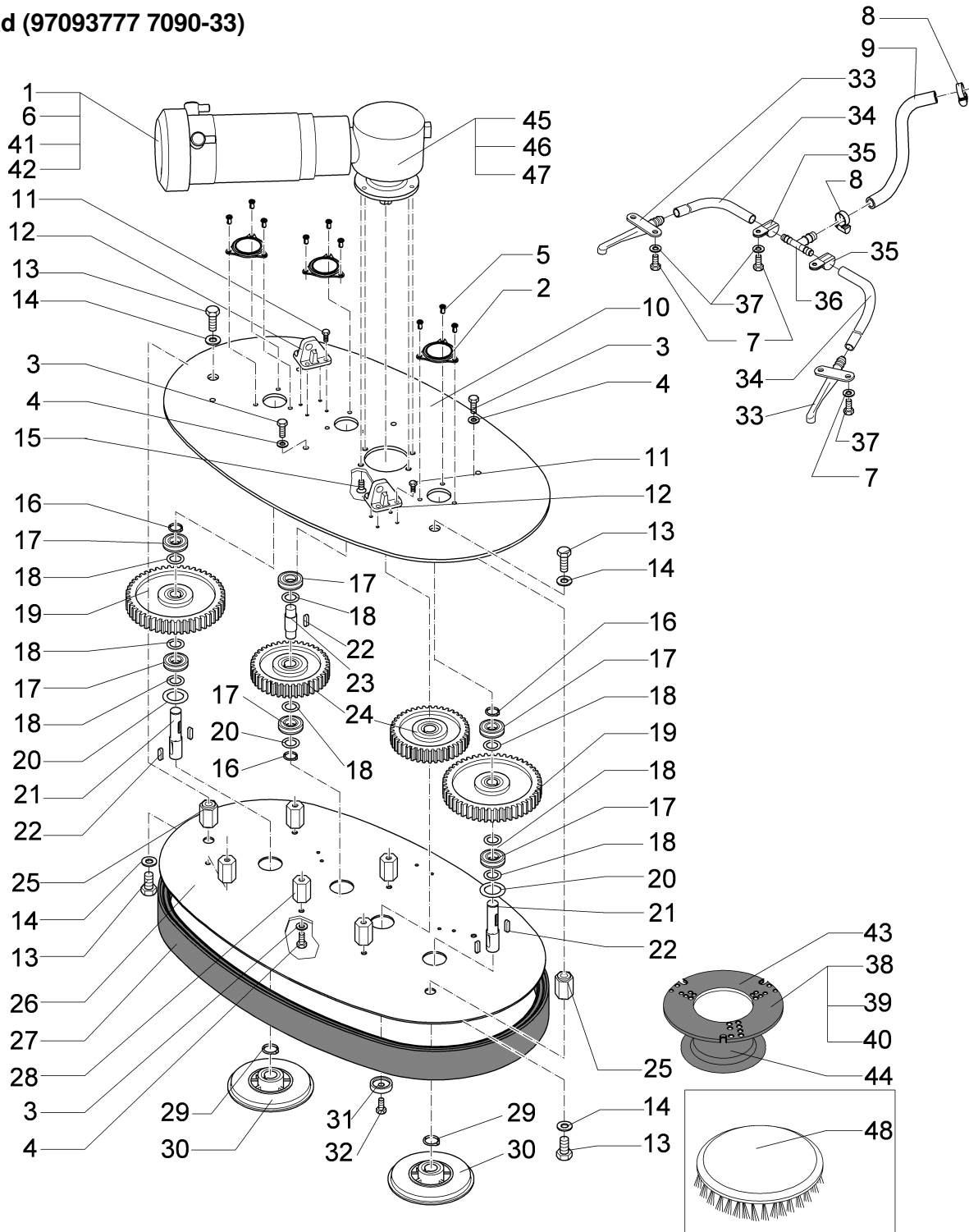




**Brush head (97073639 7090-33) 1900-01-01 --> 2007-06-30**

Item	Part number	Description	Qty.	Remarks
37	00539730	Screw	6	
38	00712010	Center-lock, cpl.	1	
39	00157110	Tapping screw	1	
40	00053720	Washer	1	
41	00553060	Set (4pc.) carbon brush	1	
42	00112200	Fan hood	1	
43	00112210	Fan wheel	1	
44	00681500	Center-lock, lower part	1	
45	00681490	Center-lock, upper part	1	
46	00967760	Cable tie	2	
47	01073210	Iron sleeve	1	
48	01076490	Bushing	1	
49	01015350	Hose clamp	2	
50	00200170	PVC hose	260mm	
51	99752000	Brush 380 SIC-PA 6	1	

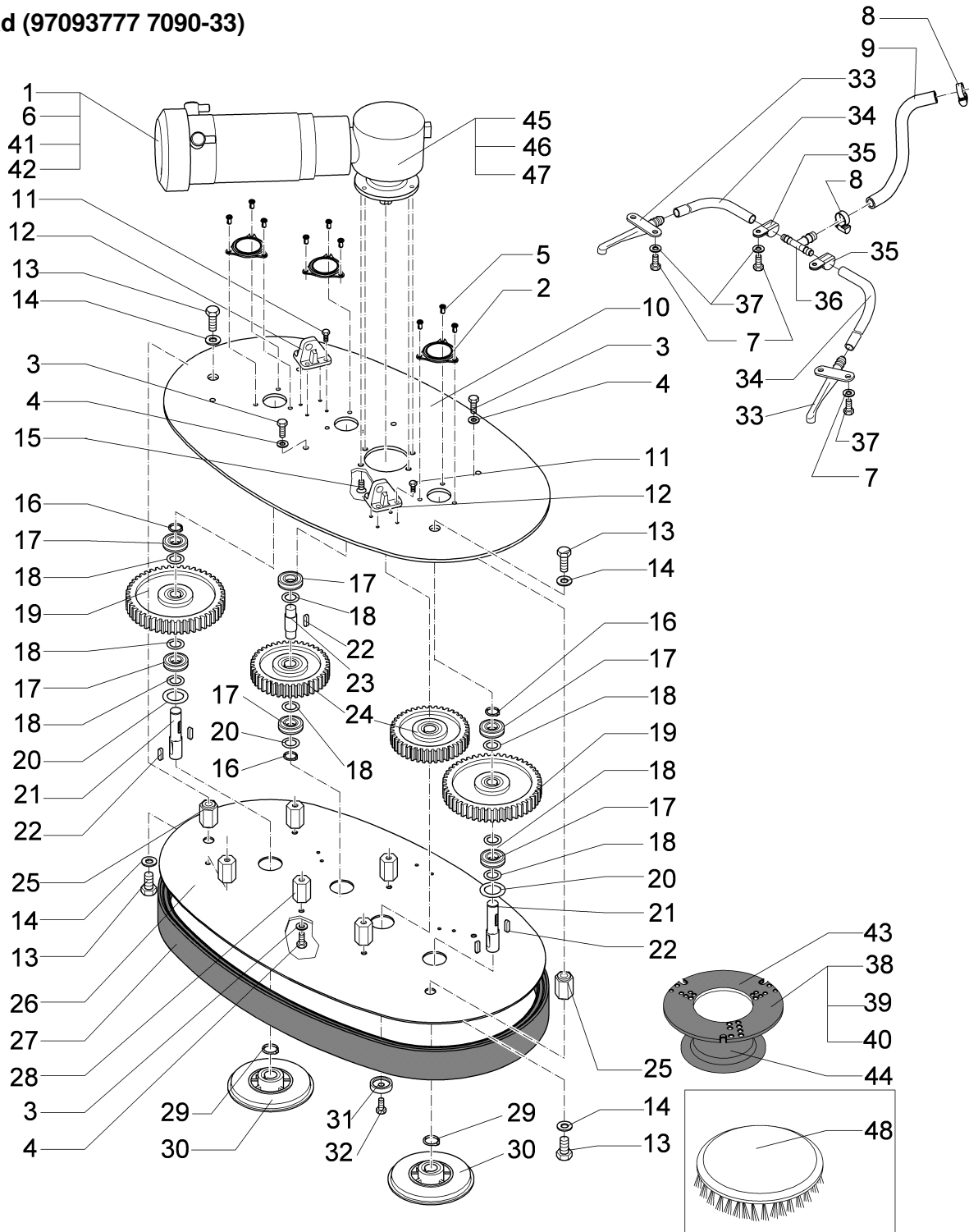
**Brush head (97093777 7090-33)**



Brush head (97093777 7090-33) 2007-07-01 -->

Item	Part number	Description	Qty.	Remarks
1	01070930	Geared motor	1	
2	01076750	Covering	3	
3	00553690	Hex.bolt	12	
4	00053750	Washer	12	
5	01076740	Rivet	9	
6	00553060	Set (4pc.) carbon brush	1	
7	00053730	Washer	8	
8	01015350	Hose clamp	2	
9	00200170	PVC hose	260mm	
10	01175820	Plate upper	1	
11	00104500	Hexagon screw	8	
12	00901370	Bearing block	2	
13	00101160	Hexagon screw	4	
14	00053770	Washer	4	
15	00705440	Countersunk screw	4	
16	00022230	Retaining ring	3	
17	00901380	Deep groove ball bearing	6	
18	00155180	Adjusting washer	8	
19	00712890	Gear wheel	2	
20	01071860	Ring	3	
21	00959680	Shaft	2	
22	00121640	Feather key	5	
23	01071870	Shaft	1	
24	00901100	Gear wheel	2	
25	00959670	Spacer sleeve	2	
26	01175830	Plate lower	1	
27	01175840	Gasket	1	
28	00901350	Nut	6	
29	00054310	Retaining ring	2	
30	00512400	Carrier	2	
31	00736620	Washer	1	
32	00077110	Hexagon screw	1	
33	00861700	Spray tube	2	
34	00180190	Hose	380mm	
35	00821550	Tube clamp	2	
36	00901310	T-reducer muff	1	

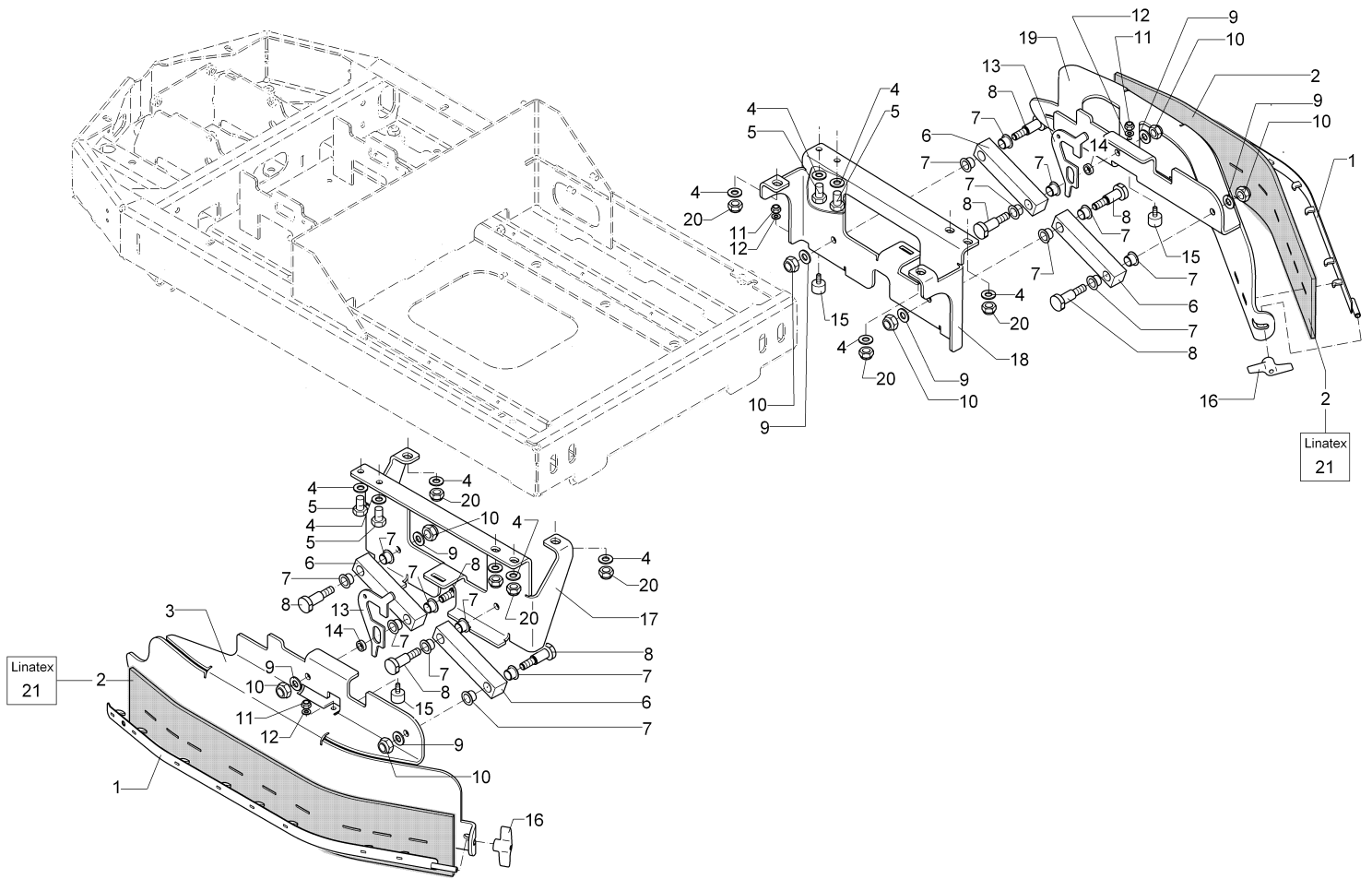
**Brush head (97093777 7090-33)**



Brush head (97093777 7090-33) 2007-07-01 -->

Item	Part number	Description	Qty.	Remarks
37	00539730	Screw	6	
38	00712010	Center-lock, cpl.	1	
39	00157110	Tapping screw	1	
40	00053720	Washer	1	
41	00112200	Fan hood	1	
42	00112210	Fan wheel	1	
43	00681500	Center-lock, lower part	1	
44	00681490	Center-lock, upper part	1	
45	00967760	Cable tie	2	
46	01073210	Iron sleeve	1	
47	01076490	Bushing	1	
48	99752000	Brush 380 SIC-PA 6	1	

Wiper, R.H. and L.H. (97083240-97083331)



Wiper, R.H. and L.H. (97083240-97083331) 2003-09-01 -->

Item	Part number	Description	Qty.	Remarks
1	01076840	Tension band	1	
2	01073890	squeegee strip	1	
3	01075440	brush strut L.H., cpl.	1	
4	00042900	Washer	6	
5	00131730	Hex.bolt	2	
6	01073870	lever	2	
7	01073860	slide bearing bush	8	
8	01073910	fitting screw	4	
9	00053760	Washer	4	
10	00051500	Hexagon nut	4	
11	00051520	Hexagon nut	2	
12	00053730	Washer	4	
13	01073880	lock hook	1	
14	01073900	spacer sleeve	1	
15	00854090	Stop buffer	2	
16	00101470	Wing nut	1	
17	03003050	Retainer L.H.	1	
18	03003070	brush holder R.H.	1	
19	01075450	brush strut R.H., cpl.	1	
20	00051510	Hexagon nut	4	
21	01077050	Squeegee strip, LINATEX	1	

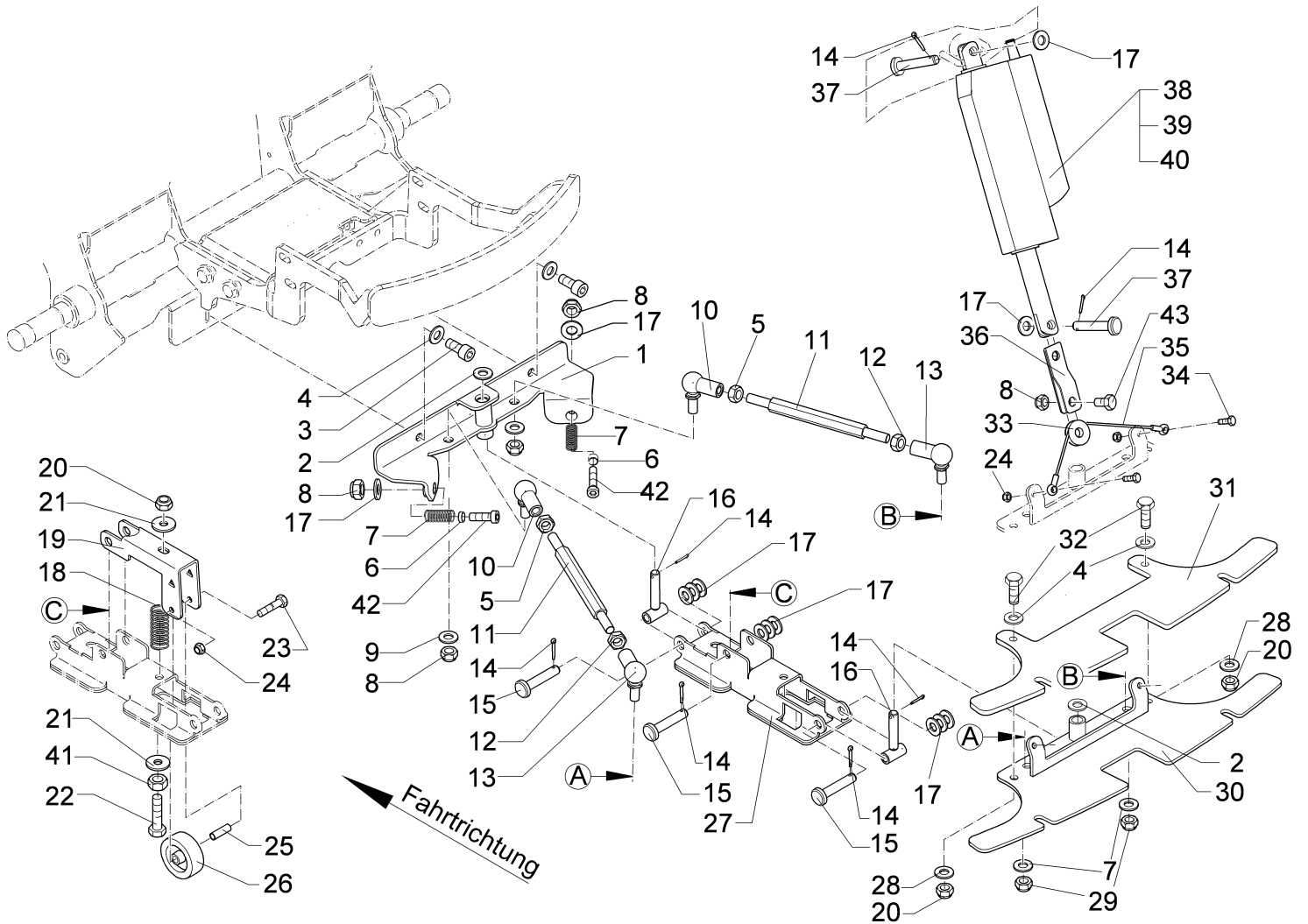
Squeegee cpl. (until ser.no.: B Admiral\_32\_0024\_4) (99709033BT135) 2007-04-01 --> 2008-02-29

Assembly	Description	Page
97073670	Squeegee lifter	45
99709033BT150	Squeegee	50





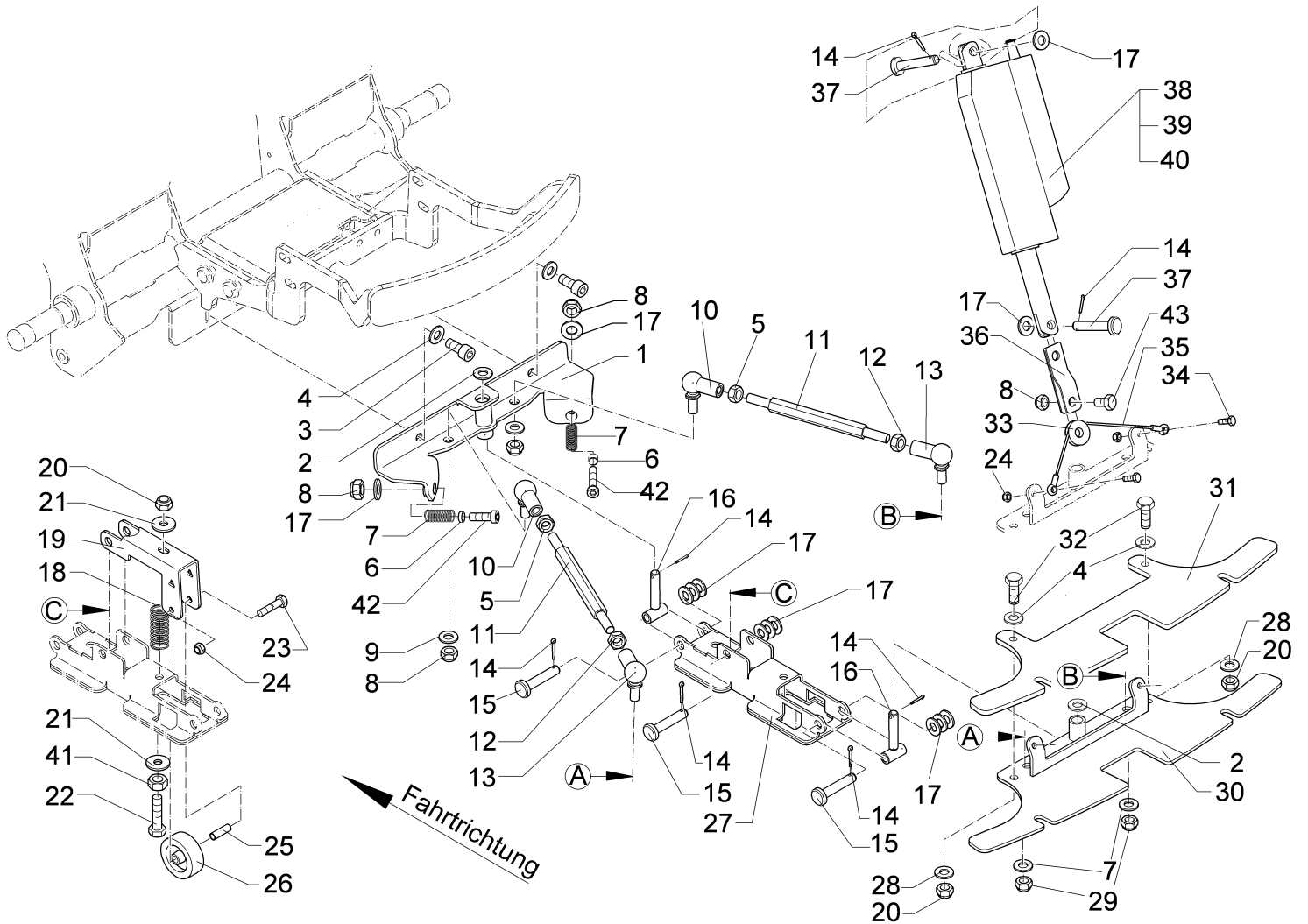
Squeegee lifter (97073670)



Squeegee lifter (97073670) 1900-01-01 --> 2008-02-29

Item	Part number	Description	Qty.	Remarks
1	01073110	Support, cpl.	1	
2	00053770	Washer	4	
3	00103300	Socket head screw	2	
4	00740090	Detent edged washer	2	
5	00053360	Hexagon nut	2	
6	01073100	Bushing	2	
7	01073090	Pressure spring	2	
8	00051500	Hexagon nut	7	
10	00527700	Angle joint	2	
11	01071460	Threaded rod	2	
12	00704470	Hex. Nut	2	
13	01071490	Angle joint	2	
14	00551410	Cotter pin	7	
15	00706440	Bolt	3	
16	01071500	Guide, cpl.	2	
17	00053760	Washer	19	
18	00550870	Cyl.compression spring	1	
19	00974230	U-profil	1	
20	00051510	Hexagon nut	3	
21	00042900	Washer	2	
22	00053260	Hex.bolt	1	
23	00053050	Hex.bolt	1	
24	00051520	Hexagon nut	3	
25	00902560	Bushing	1	
26	00902580	Wheel	1	
27	01072910	Support, cpl.	1	
28	00053750	Washer	4	
29	00704470	Hex. Nut	2	
30	01071960	Plate, cpl.	1	
31	01071970	Sheet metal	1	
32	00053100	Hexagon screw	2	
33	01071510	Roller guide	1	
34	00154210	Hex.bolt	2	
35	01071520	Guidance rope	1	
36	01071980	Support	1	
37	00539260	Bolt	2	

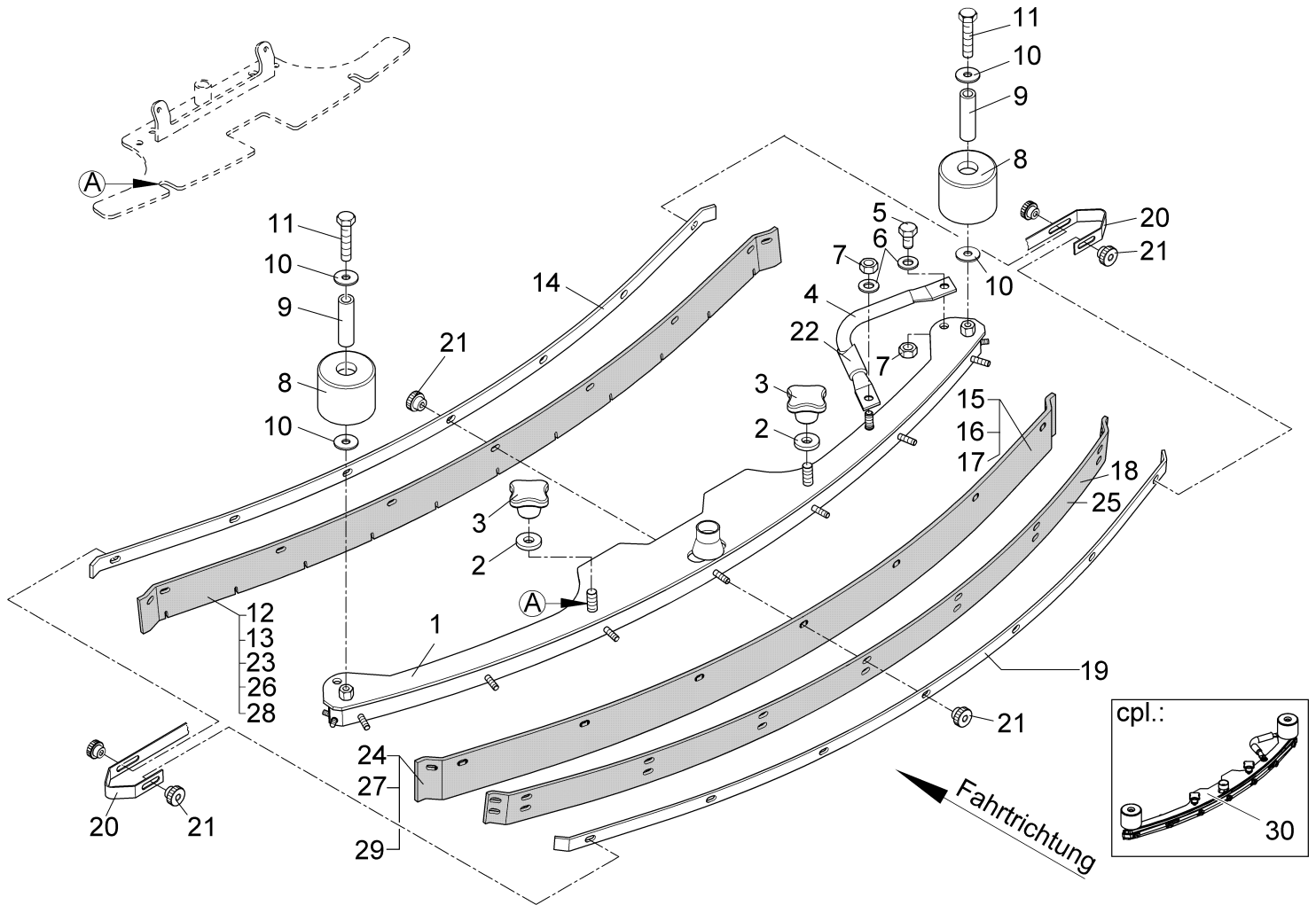
Squeegee lifter (97073670)



Squeegee lifter (97073670) 1900-01-01 --> 2008-02-29

Item	Part number	Description	Qty.	Remarks
38	00712430	Lifting element	1	
39	00903190	Tab	2	
40	00903180	Plastic cover	1	
41	00046500	Hex. Nut	1	
42	00962430	Cylinder head screw	2	
43	00053310	Hexagon screw	1	

Squeegee (99709033BT150)



**Squeegee (99709033BT150)**

Item	Part number	Description	Qty.	Remarks
1	01071990	Squeegee	1	
2	00972060	Disk wheel	2	
3	01179360	Star handle yellow	2	
4	00911330	Handle	1	
5	00864230	Hex.bolt	1	
6	00053750	Washer	2	
7	00046500	Hex. Nut	2	
8	00976590	Roller	2	
9	00976580	Pipe	2	
10	00042900	Washer	4	
11	00557600	Hex.bolt	2	
12	00671600	sealing strip front, standard	1	
13	01050390	Sealing strip, front, high	1	
14	00245920	Fitting strip	1	
15	00670750	Sealing strip, rear standard	1	
16	00442500	Sealing strip, rear, soft	1	
17	01050400	Sealing strip, rear, high	1	
18	00563350	Supporting border	1	
19	00245910	Fitting strip	1	
20	01058060	U-bow	2	
21	00903210	Knurled nut	14	
22	00911270	Hose	1	
23	00442260	Sealing strip front, resistant to oil	1	
24	00442280	Sealing strip rear, resistant to oil	1	
25	00442300	Supporting border, resistant to oil	1	
26	01075910	Slot strip PUR	1	
27	01075920	Sealing strip rear PUR	1	
28	01077060	Sealing strip front, LINATEX	1	
29	01077010	Sealing strip rear, LINATEX	1	
30	01079150	Suction unit	1	

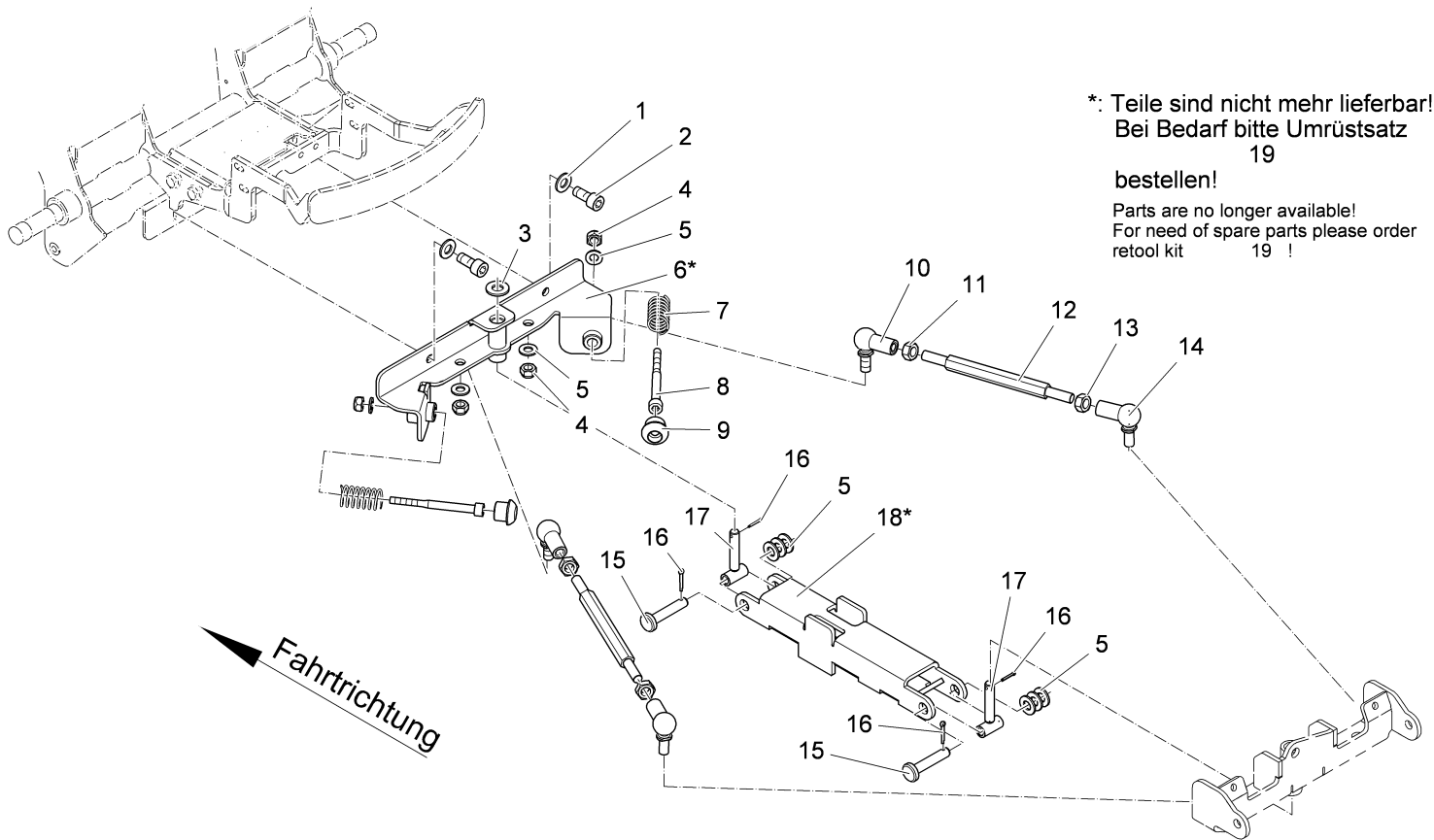
Squeegee (from ser. no.: B Admiral\_32\_0025\_?) (99709033BT156) 2008-03-01 --> 2009-09-30

Assembly	Description	Page
97100556-1-A	Lifting assy suction base unit part1	53
97100556-1	Lifting assy suction base unit part1	56
97100556-2-A	Lifting assy suction base unit part2	58
97100556-2	Lifting assy suction base unit part2	60
97106413-1	Squeegee 95cm part 1	62
97106413-2	Squeegee 95cm part 2	64





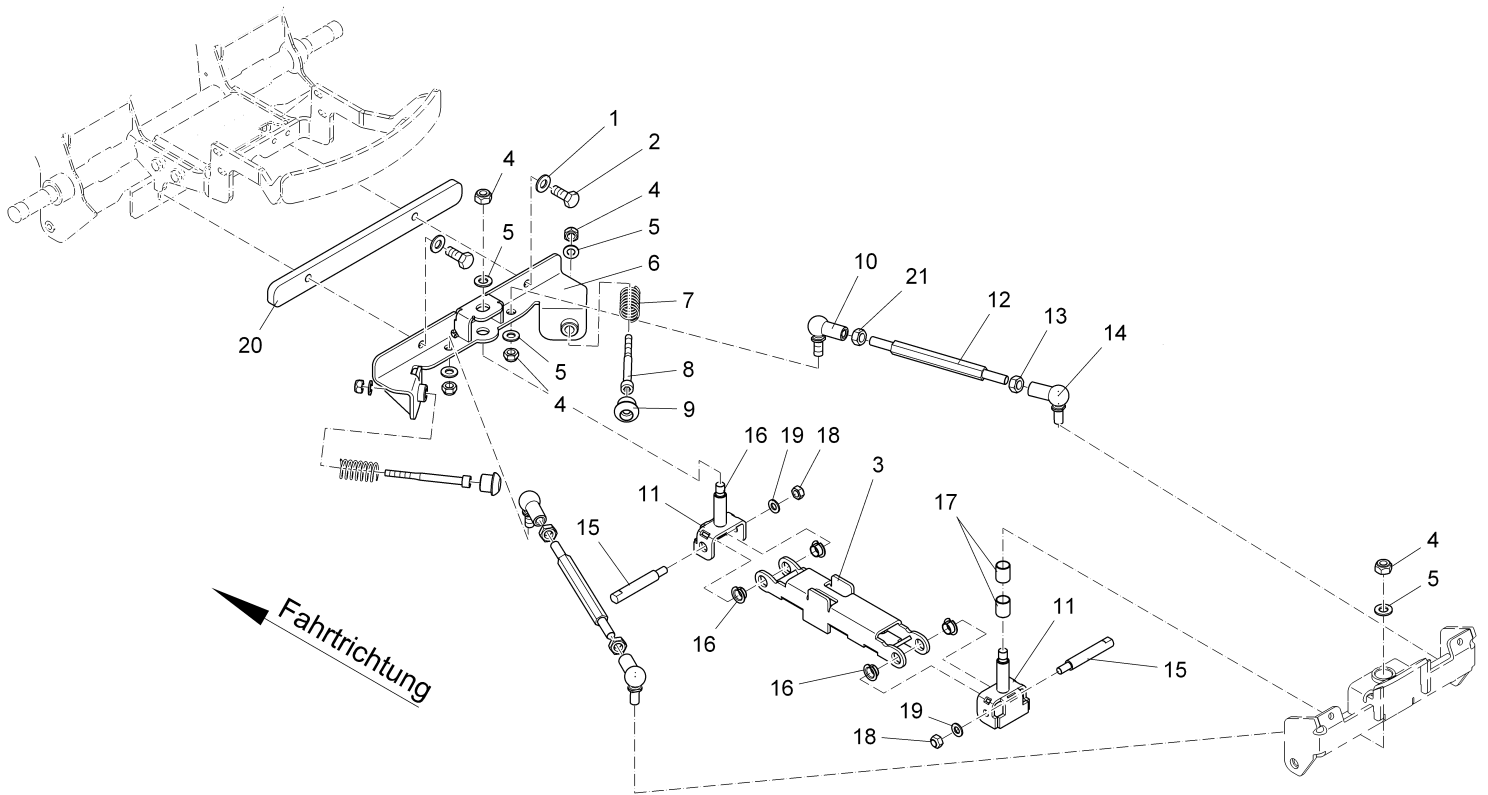
**Lifting assy suction base unit part1 (97100556-1-A)**



Lifting assy suction base unit part1 (97100556-1-A) 2008-03-01 --> 2009-06-07

Item	Part number	Description	Qty.	Remarks
1	00740090	Detent edged washer	2	
2	00103300	Socket head screw	2	
3	00053770	Washer	1	
4	00051500	Hexagon nut	4	
5	00053760	Washer	4	
6	01073110	Support, cpl.		No longer available! Please order pos 19!
7	01175850	Compression spring	2	
8	00927270	Cylinder head screw	8	
9	01073100	Bushing	2	
10	00527700	Angle joint	2	
11	00053360	Hexagon nut	2	
12	01071460	Threaded rod	2	
13	00704470	Hex. Nut	2	
14	01071490	Angle joint	2	
15	00706440	Bolt	2	
16	00551410	Cotter pin	4	
17	01071500	Guide, cpl.	2	
18	01171410	Retainer		No longer available! Please order pos 19!
19	00009120	Retool kit LIFTING SUCTION UNIT	1	

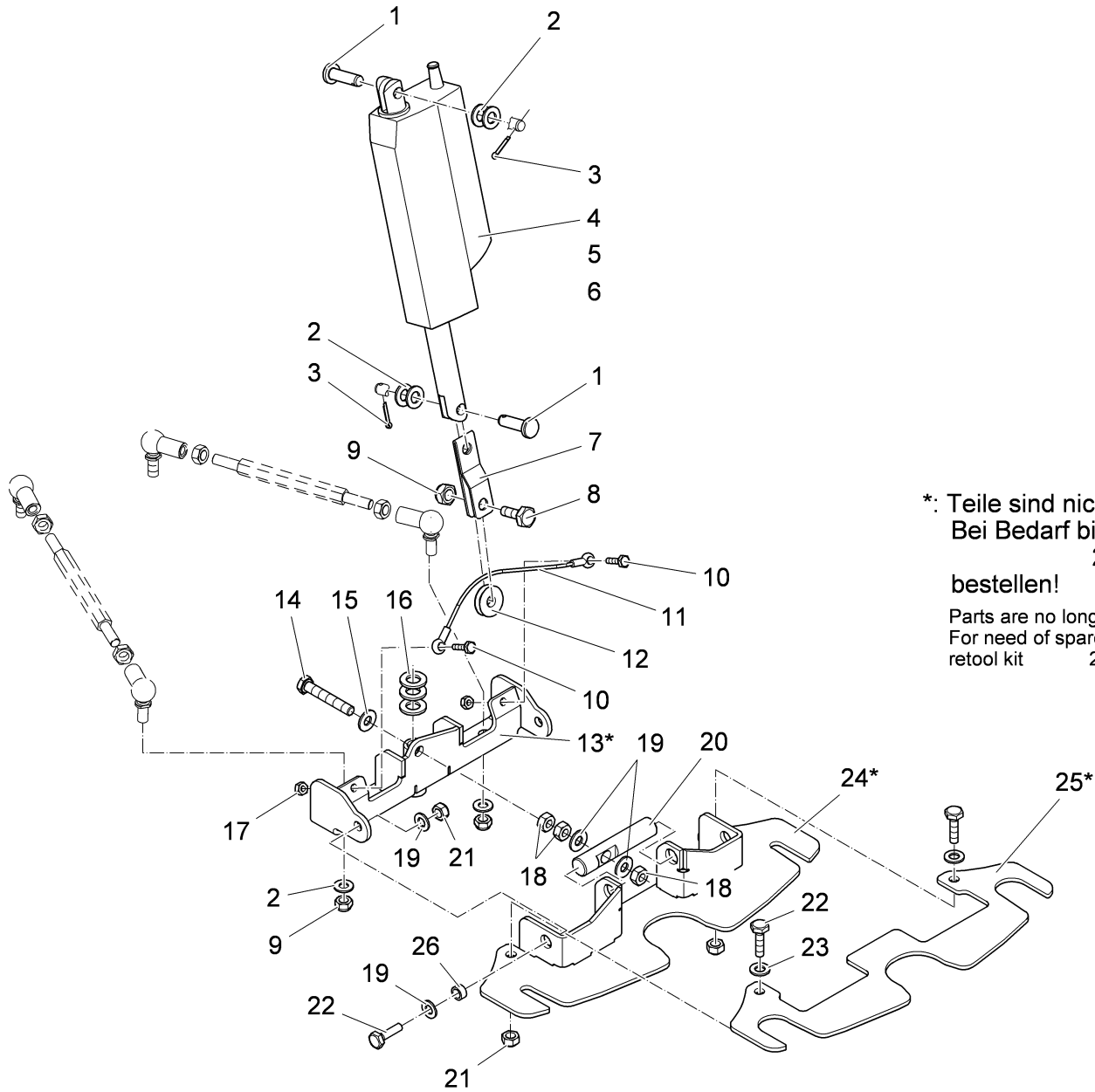
**Lifting assy suction base unit part1 (97100556-1)**



**Lifting assy suction base unit part1 (97100556-1)**

Item	Part number	Description	Qty.	Remarks
1	00740090	Detent edged washer	2	
2	00054690	Hexagon screw	2	
3	01178240	Retainer	1	
4	00051500	Hexagon nut	4	
5	00053760	Washer	5	
6	01178230	Retainer	1	
7	01175850	Compression spring	2	
8	00927270	Cylinder head screw	8	
9	01073100	Bushing	2	
10	00527700	Angle joint	2	
11	01177810	Fork head	2	
12	01071460	Threaded rod	2	
13	00704470	Hex. Nut	2	
14	01071490	Angle joint	2	
15	01178380	Threaded bolt	2	
16	01171330	Slide bearing bush	4	
17	01171820	Slide bearing bush	2	
18	00051510	Hexagon nut	2	
19	00053750	Washer	2	
20	01272810	Spacer plate	1	
21	00053360	Hexagon nut	2	

**Lifting assy suction base unit part2 (97100556-2-A)**



\*: Teile sind nicht mehr lieferbar!  
Bei Bedarf bitte Umrüstsatz  
27

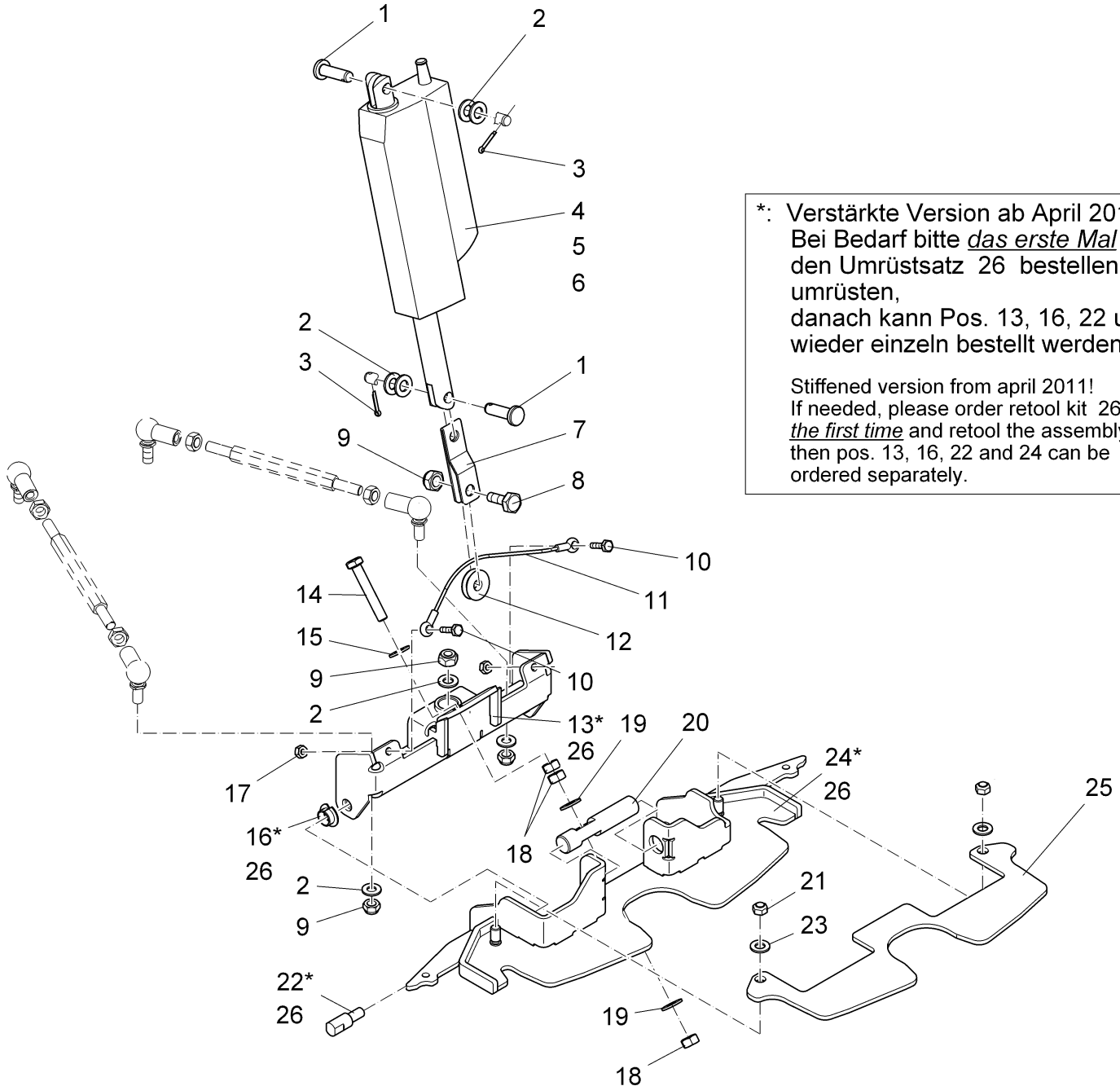
bestellen!

Parts are no longer available!  
For need of spare parts please order  
retool kit 27 !

Lifting assy suction base unit part2 (97100556-2-A) 2008-03-01 --> 2009-06-07

Item	Part number	Description	Qty.	Remarks
1	00539260	Bolt	2	
2	00053760	Washer	4	
3	00551410	Cotter pin	2	
4	00712430	Lifting element	1	
5	00903190	Tab	1	
6	00903180	Plastic cover	1	
7	01071980	Support	1	
8	00053310	Hexagon screw	1	
9	00051500	Hexagon nut	1	
10	00854190	Hexagon screw	2	
11	01071520	Guidance rope	1	
12	01071510	Roller guide	1	
13	01171420	Retainer		NO longer available! Please order nos 271
14	00053260	Hex.bolt	1	
15	00740090	Detent edged washer	1	
16	00053770	Washer	3	
17	00053330	Hexagon nut	2	
18	00053350	Hexagon nut	3	
19	00053750	Washer	4	
20	01171510	Pivot bolt	1	
21	00051510	Hexagon nut	4	
22	00053100	Hexagon screw	4	
23	00053750	Washer	2	
24	01171430	Plate		NO longer available! Please order nos 271
25	01171500	Sheet metal		NO longer available! Please order nos 271
26	01077700	Bushing	2	
27	00009120	Retool kit LIFTING SUCTION UNIT	1	

Lifting assy suction base unit part2 (97100556-2)



\*: Verstärkte Version ab April 2011!  
Bei Bedarf bitte das erste Mal  
den Umrüstsatz 26 bestellen und  
umrüsten,  
danach kann Pos. 13, 16, 22 und 24  
wieder einzeln bestellt werden.

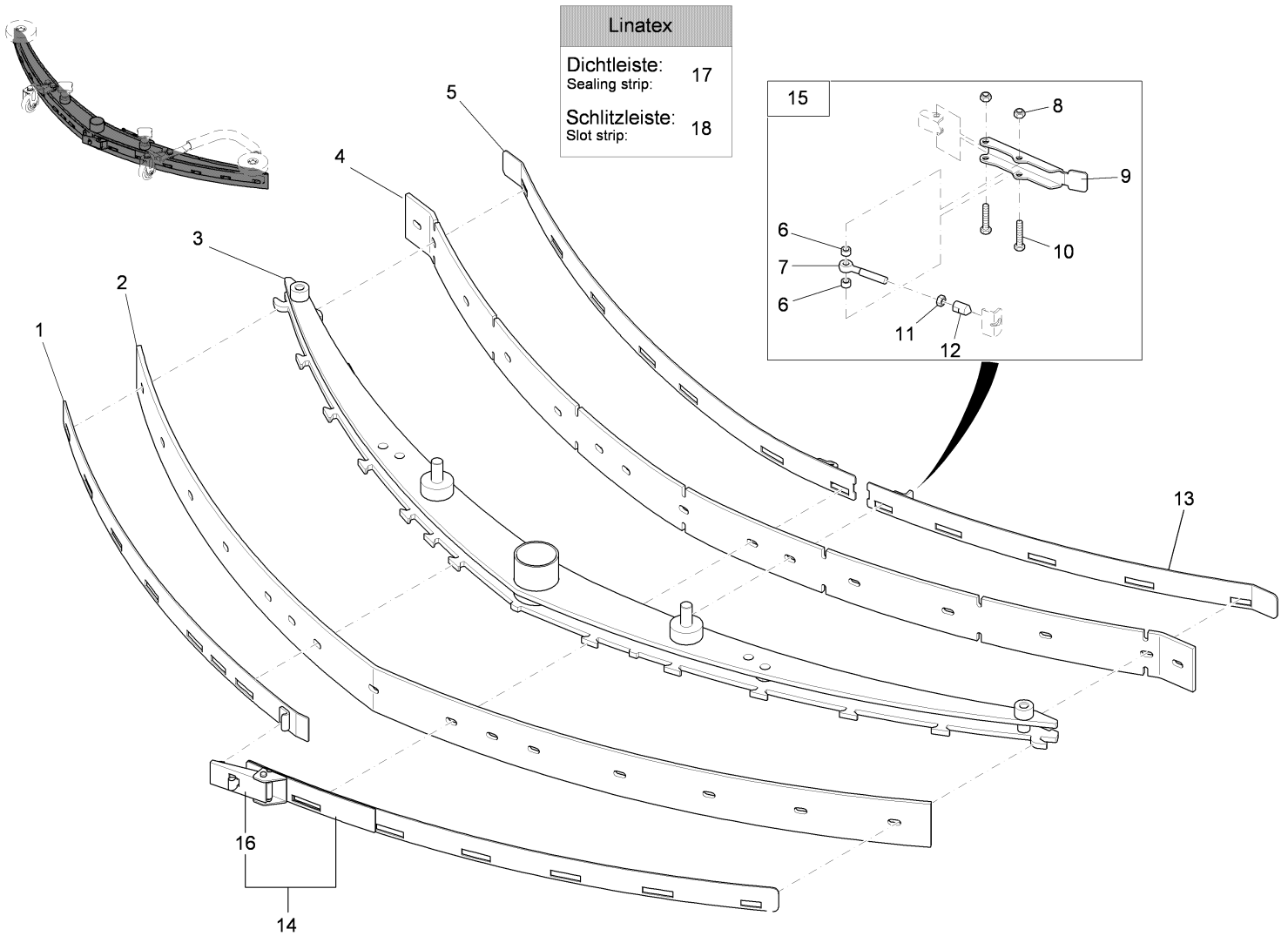
Stiffened version from april 2011!  
If needed, please order retool kit 26  
the first time and retool the assembly,  
then pos. 13, 16, 22 and 24 can be  
ordered separately.



**Lifting assy suction base unit part2 (97100556-2)**

Item	Part number	Description	Qty.	Remarks
1	00539260	Bolt	2	
2	00053760	Washer	5	
3	00551410	Cotter pin	2	
4	00712430	Lifting element	1	
5	00903190	Tab	1	
6	00903180	Plastic cover	1	
7	01071980	Support	1	
8	00053310	Hexagon screw	1	
9	00051500	Hexagon nut	3	
10	00854190	Hexagon screw	2	
11	01071520	Guidance rope	1	
12	01071510	Roller guide	1	
13	01273310	Retainer	1	
14	00053260	Hex.bolt	1	
15	00740090	Detent edged washer	1	
16	01171330	Slide bearing bush	2	
17	00053330	Hexagon nut	2	
18	00053350	Hexagon nut	3	
19	00053750	Washer	4	
20	01171510	Pivot bolt	1	
21	00051510	Hexagon nut	2	
22	01273300	Threaded bolt	2	
23	00053750	Washer	2	
24	01273320	Plate	1	
25	01178220	Sheet metal	1	
26	00009430	Retool kit SQUEEGEE LIFTING	1	

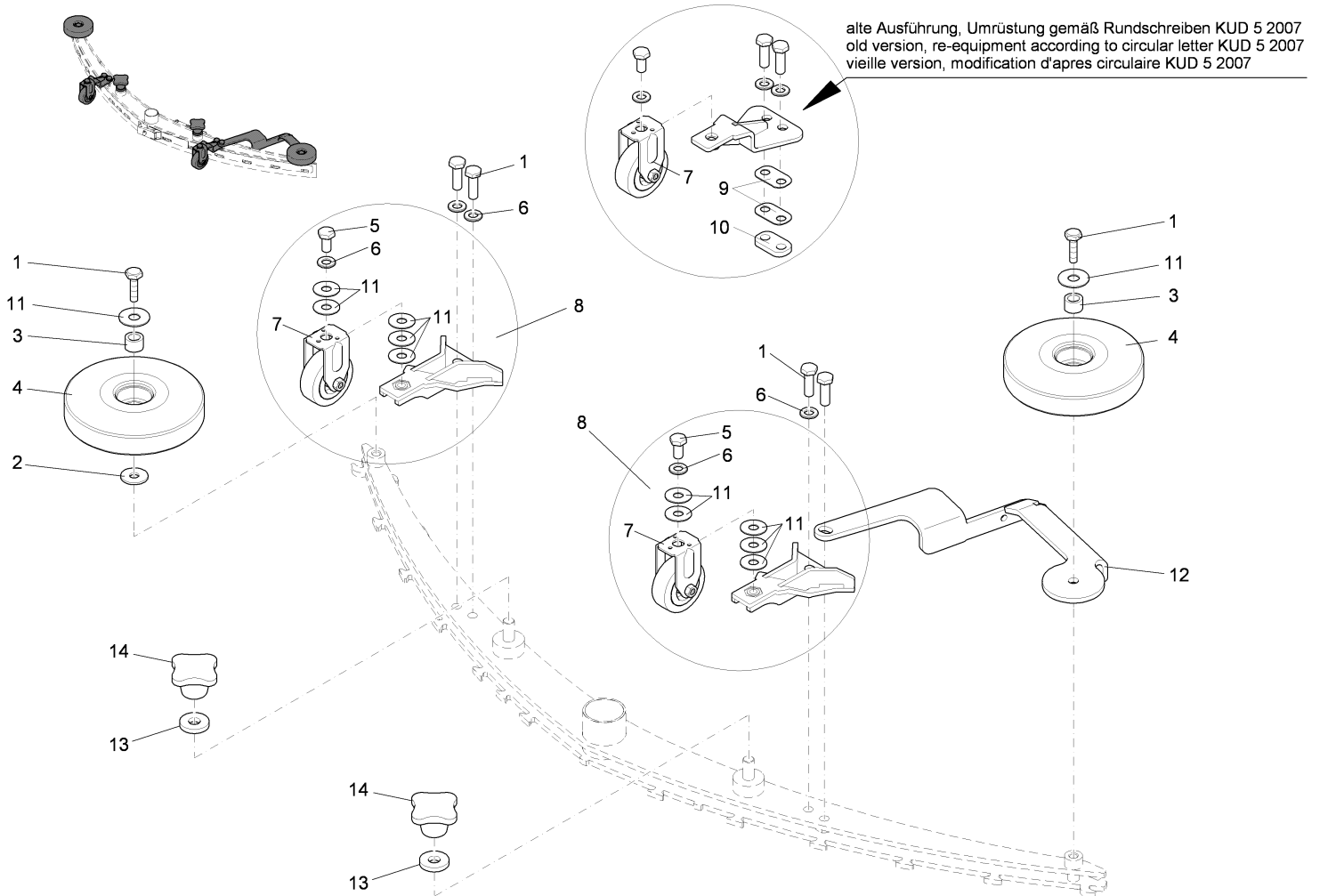
Squeegee 95cm part 1 (97106413-1)



**Squeegee 95cm part 1 (97106413-1) 2008-03-01 --> 2009-09-30**

Item	Part number	Description	Qty.	Remarks
1	01077660	Rear tension band	1	
2	01077480	Sealing strip	1	
3	01077940	Suction unit	1	
4	01077470	Slot strip	1	
5	01077650	Front tension band	1	
6	01077590	Bushing	2	
7	01077500	Eye bolt	1	
8	01017660	Hex. Nut	2	
9	01077580	Lever	1	
10	01079890	Hexagon screw	2	
11	00902250	Hex. Nut	1	
12	01078090	Pressure piece	1	
13	01077640	Front tension band	1	
14	01077670	Rear tension band	1	
15	00009010	Lock suction unit	1	
16	01171810	Lock	1	
17	01179180	Sealing strip Linatex	1	for 95cm squeegee
18	01179170	Slot strip Linatex	1	for 95cm squeegee

Squeegee 95cm part 2 (97106413-2)



**Squeegee 95cm part 2 (97106413-2) 2008-03-01 --> 2009-09-30**

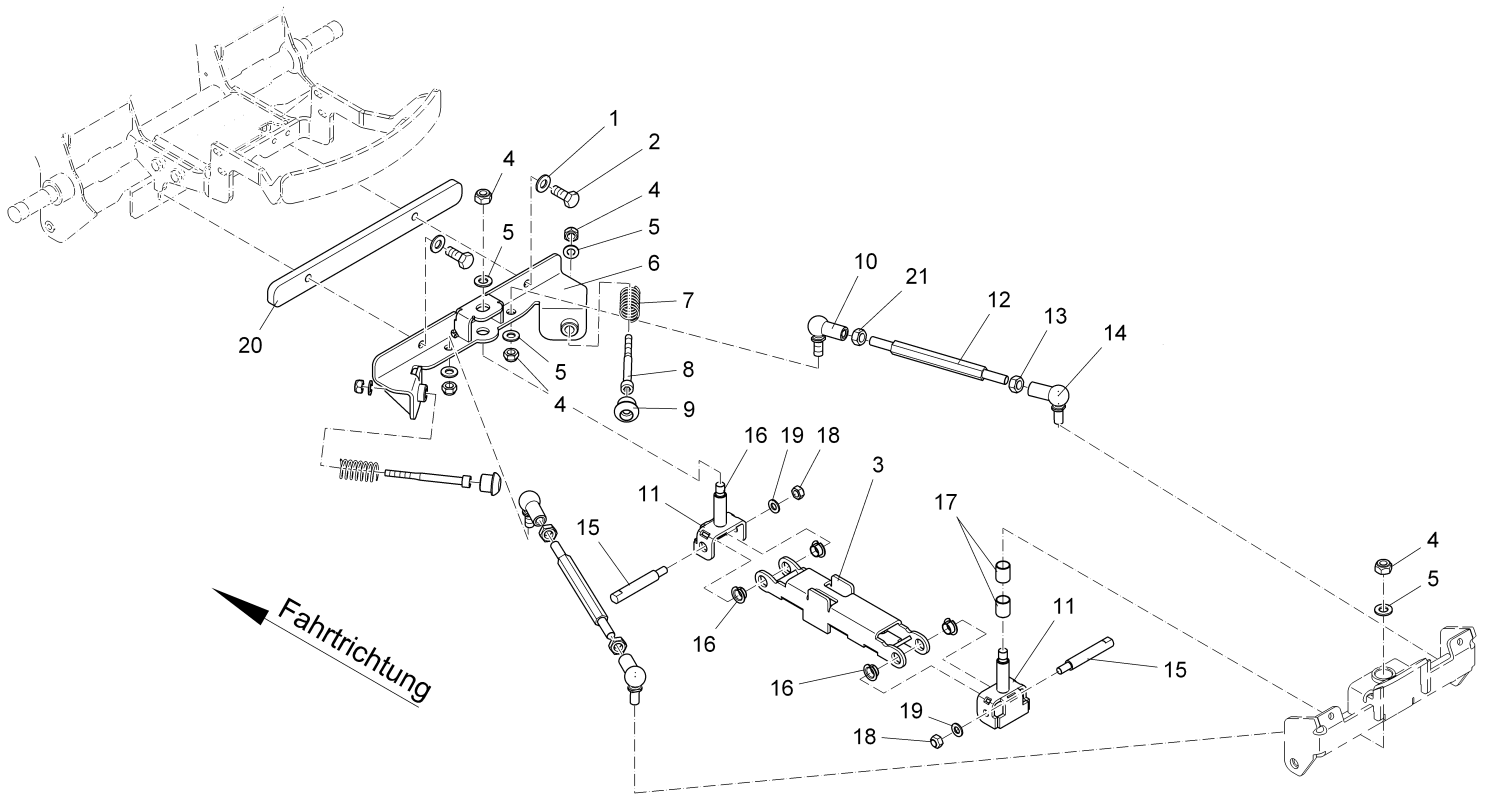
Item	Part number	Description	Qty.	Remarks
1	01059530	Hexagon screw	6	
2	00902280	Washer	1	
3	00879030	Pipe	2	
4	01171790	Deflector roller	2	
5	01071740	Hex.bolt	2	
6	00101550	Washer	3	
7	01077810	Fixed castor	2	
8	01079070	Fixed castor	2	
9	01077610	Distance piece	2	
10	01077600	Distance piece	1	
11	01079080	Spacer	10	
12	01177300	Bracket	1	
13	00972060	Disk wheel	2	
14	01179360	Star handle yellow	2	

Squeegee (99709010BT159) 2009-10-01 -->

Assembly	Description	Page
97100556-1	Lifting assy suction base unit part1	67
97100556-2	Lifting assy suction base unit part2	70
97108997-1	Squeegee 950mm part 1	72
97108997-2	Squeegee 950mm part 2	74



**Lifting assy suction base unit part1 (97100556-1)**

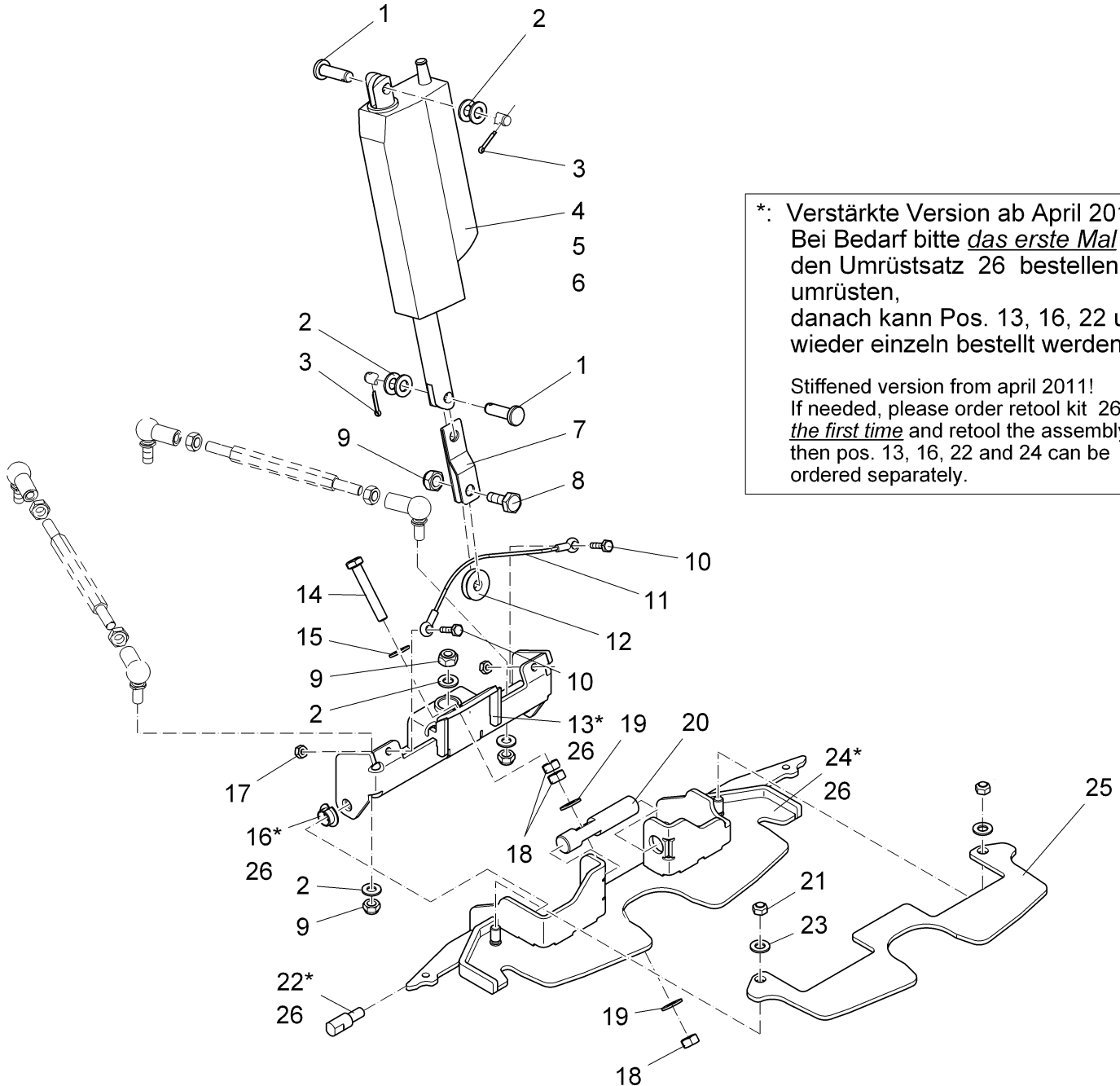




**Lifting assy suction base unit part1 (97100556-1)**

Item	Part number	Description	Qty.	Remarks
1	00740090	Detent edged washer	2	
2	00054690	Hexagon screw	2	
3	01178240	Retainer	1	
4	00051500	Hexagon nut	4	
5	00053760	Washer	5	
6	01178230	Retainer	1	
7	01175850	Compression spring	2	
8	00927270	Cylinder head screw	8	
9	01073100	Bushing	2	
10	00527700	Angle joint	2	
11	01177810	Fork head	2	
12	01071460	Threaded rod	2	
13	00704470	Hex. Nut	2	
14	01071490	Angle joint	2	
15	01178380	Threaded bolt	2	
16	01171330	Slide bearing bush	4	
17	01171820	Slide bearing bush	2	
18	00051510	Hexagon nut	2	
19	00053750	Washer	2	
20	01272810	Spacer plate	1	
21	00053360	Hexagon nut	2	

Lifting assy suction base unit part2 (97100556-2)



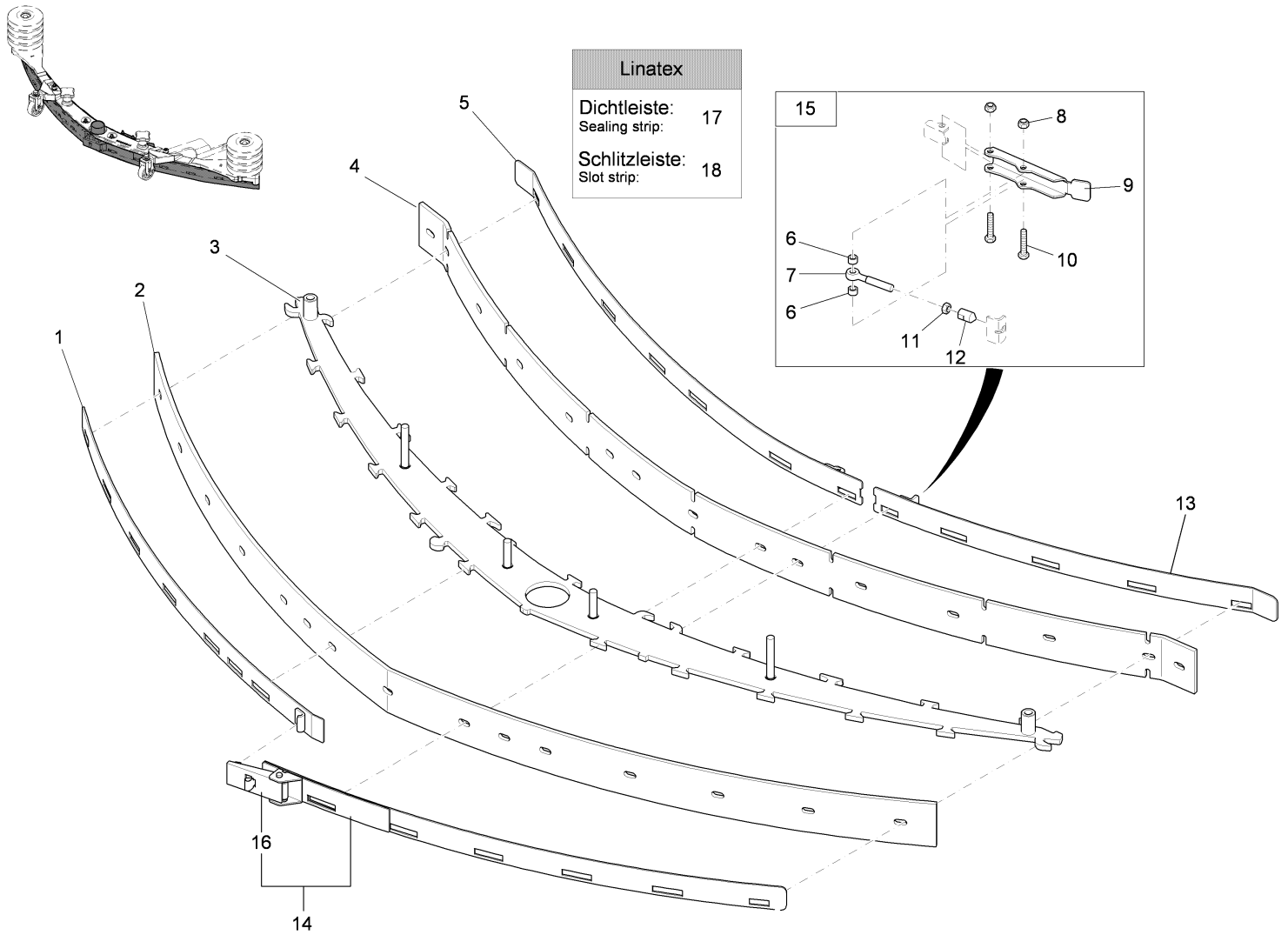
\*: Verstärkte Version ab April 2011!  
Bei Bedarf bitte das erste Mal  
den Umrüstsatz 26 bestellen und  
umrüsten,  
danach kann Pos. 13, 16, 22 und 24  
wieder einzeln bestellt werden.

Stiffened version from april 2011!  
If needed, please order retool kit 26  
the first time and retool the assembly,  
then pos. 13, 16, 22 and 24 can be  
ordered separately.

**Lifting assy suction base unit part2 (97100556-2)**

Item	Part number	Description	Qty.	Remarks
1	00539260	Bolt	2	
2	00053760	Washer	5	
3	00551410	Cotter pin	2	
4	00712430	Lifting element	1	
5	00903190	Tab	1	
6	00903180	Plastic cover	1	
7	01071980	Support	1	
8	00053310	Hexagon screw	1	
9	00051500	Hexagon nut	3	
10	00854190	Hexagon screw	2	
11	01071520	Guidance rope	1	
12	01071510	Roller guide	1	
13	01273310	Retainer	1	
14	00053260	Hex.bolt	1	
15	00740090	Detent edged washer	1	
16	01171330	Slide bearing bush	2	
17	00053330	Hexagon nut	2	
18	00053350	Hexagon nut	3	
19	00053750	Washer	4	
20	01171510	Pivot bolt	1	
21	00051510	Hexagon nut	2	
22	01273300	Threaded bolt	2	
23	00053750	Washer	2	
24	01273320	Plate	1	
25	01178220	Sheet metal	1	
26	00009430	Retool kit SQUEEGEE LIFTING	1	

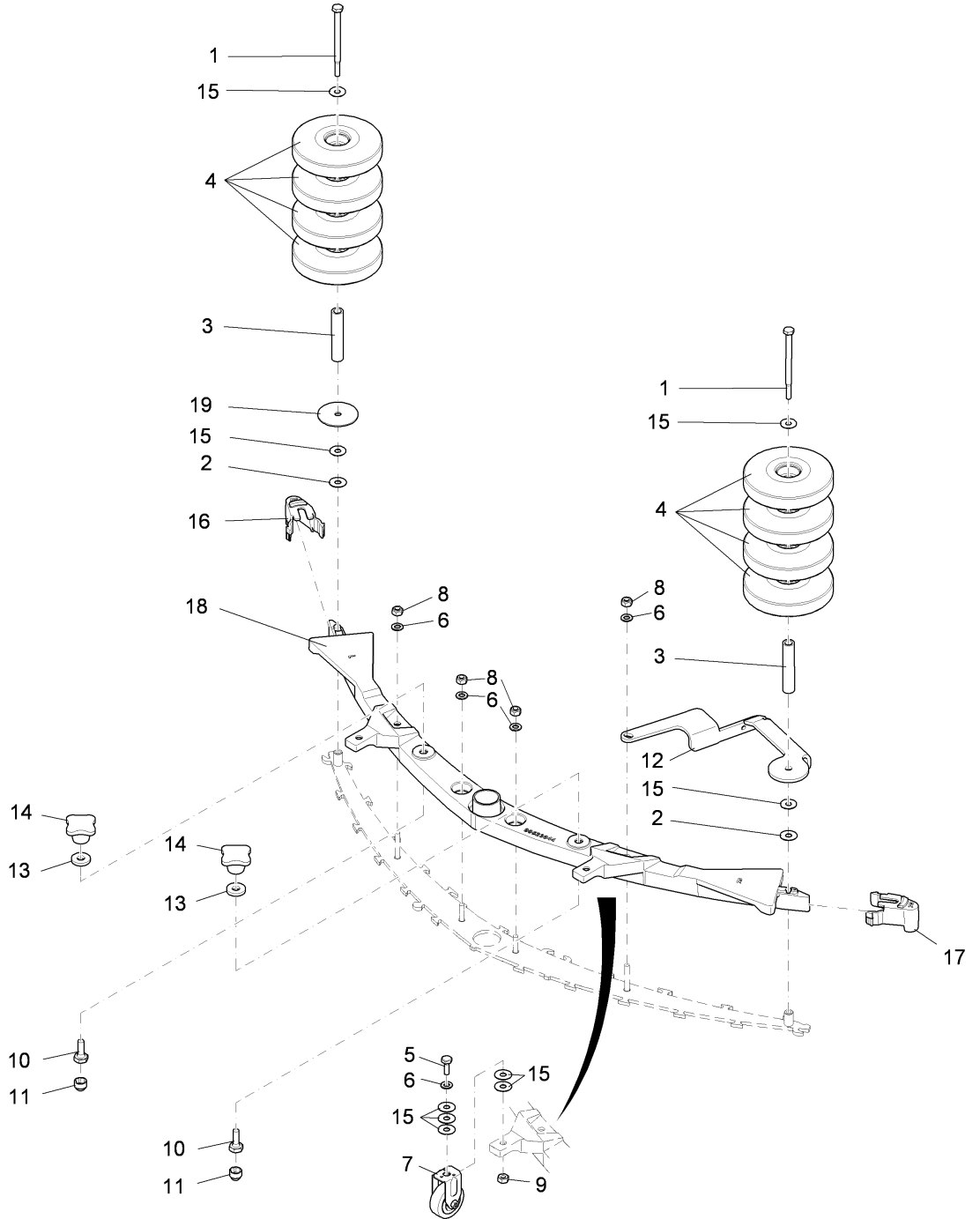
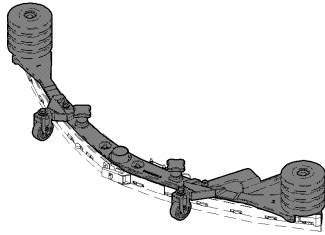
Squeegee 950mm part 1 (97108997-1)



Squeegee 950mm part 1 (97108997-1) 2009-10-01 -->

Item	Part number	Description	Qty.	Remarks
1	01077660	Rear tension band	1	
2	01077480	Sealing strip	1	
3	01178350	Base plate	1	
4	01077470	Slot strip	1	
5	01077650	Front tension band	1	
6	01077590	Bushing	2	
7	01077500	Eye bolt	1	
8	01017660	Hex. Nut	2	
9	01077580	Lever	1	
10	01079890	Hexagon screw	2	
11	00902250	Hex. Nut	1	
12	01078090	Pressure piece	1	
13	01077640	Front tension band	1	
14	01077670	Rear tension band	1	
15	00009010	Lock suction unit	1	
16	01171810	Lock	1	
17	01179180	Sealing strip Linatex	1	for 95cm squeegee
18	01179170	Slot strip Linatex	1	for 95cm squeegee

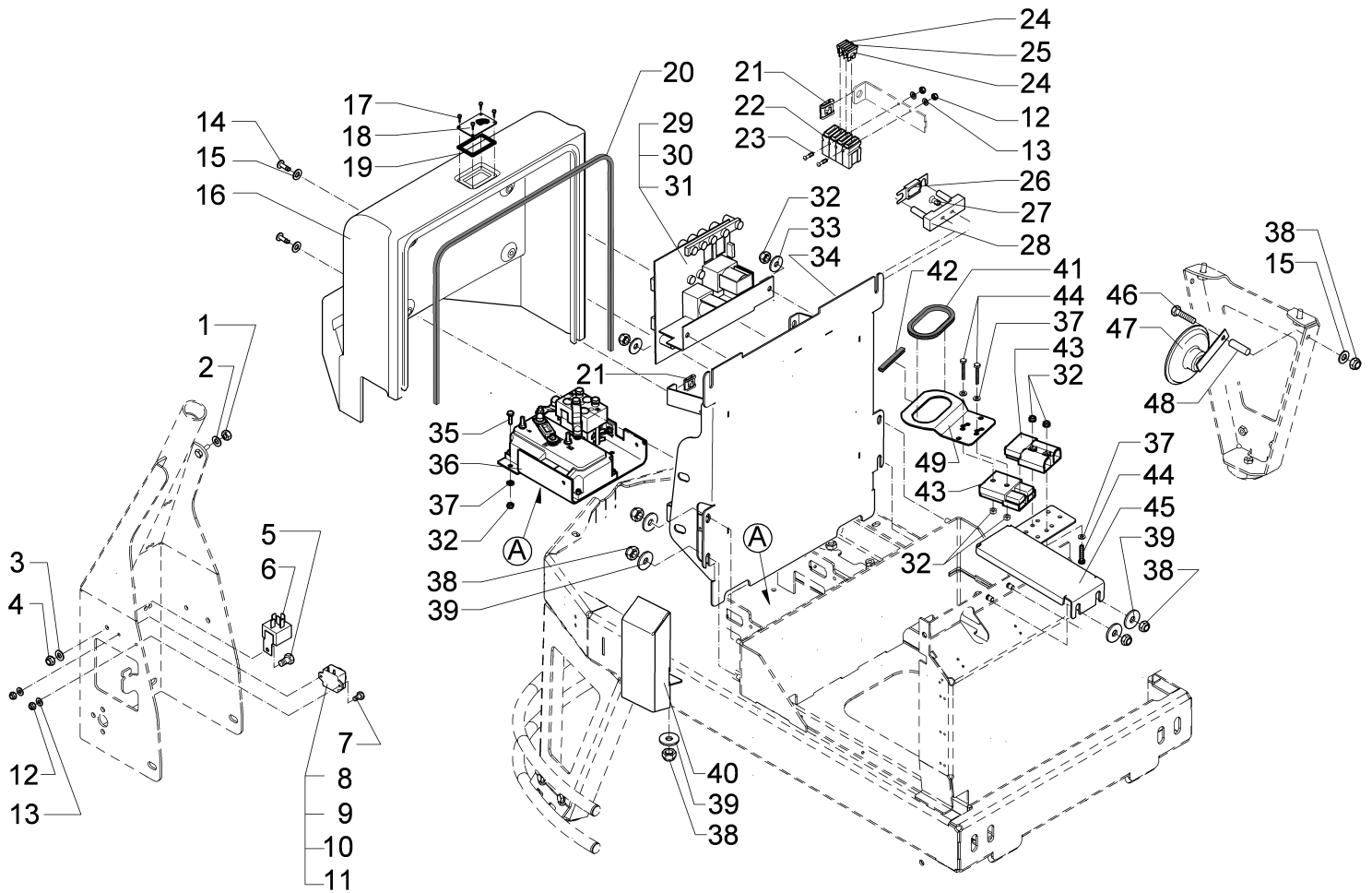
Squeegee 950mm part 2 (97108997-2)



Squeegee 950mm part 2 (97108997-2) 2009-10-01 -->

Item	Part number	Description	Qty.	Remarks
1	01176750	Hexagon screw	2	
2	00902280	Washer	1	
3	01177260	Pipe	2	
4	01171790	Deflector roller	8	
5	01162510	Hexagon screw	2	
6	00101550	Washer	6	
7	01077810	Fixed castor	2	
8	00101540	Hexagon nut	4	
9	00971400	Hexagon nut	2	
10	01019850	Hexagon screw	2	
11	00131610	Lens cap	2	
12	01177300	Bracket	1	
13	00972060	Disk wheel	2	
14	01179360	Star handle yellow	2	
15	01079080	Spacer	14	
16	01178320	Protection cap L.H.	1	
17	01178310	Protection cap R.H.	1	
18	01178340	Suction unit body 950mm	1	
19	01178290	Conical spring washer	1	

Electric (97107627)

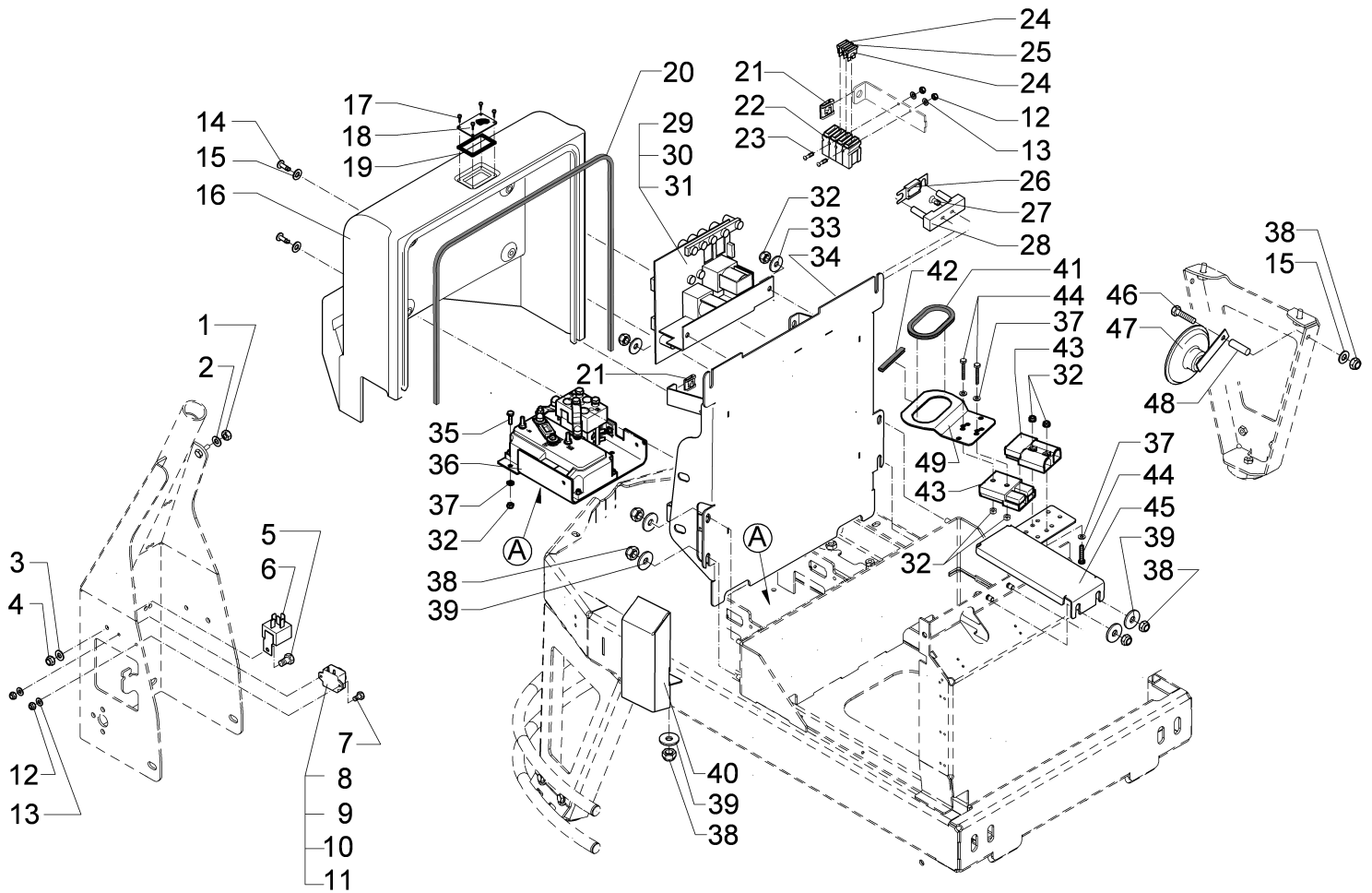




**Electric (97107627)**

Item	Part number	Description	Qty.	Remarks
1	00053330	Hexagon nut	1	
2	01072030	Toothed washer	1	
3	00053720	Washer	1	
4	00051340	Hexagon nut	1	
5	00152800	Hex.bolt	1	
6	00965030	Relay	1	
7	00042350	Hex.bolt	2	
8	00745850	Signal transmitter	1	
9	00121010	Cable tie	1	
10	00903180	Plastic cover	1	
11	00903170	Tab	2	
12	00022200	Hex. Nut	4	
13	00553740	Washer	4	
14	00740900	Tapping screw	2	
15	00053750	Washer	5	
16	03000530	Covering for electric	1	
17	00902430	Self tapping screw	4	
18	01072050	Inspection glass	1	
19	01072060	Seal	1	
20	00740410	Cord gasket	1150mm	
21	01175860	Snap nut	4	
22	00733650	Fuse holder	3	
23	01072070	Fillister-head screw	2	
24	00733630	Fuse	2	
25	00509550	Fuse	1	
26	00059580	Fuse	1	
27	00157110	Tapping screw	2	
28	00121440	Fuse holder	1	
29	00752920	Module	1	
30	00744700	Fuse	2	
31	00876690	Fuse	2	
32	00051520	Hexagon nut	6	
33	00135120	Washer	2	
34	03000540	Electronic box	1	
35	00053020	Hexagon screw	2	
36	<b>01072090</b>	<b>Retool kit DRIVE CONTROL</b>	<b>Page</b>	<b>80</b>

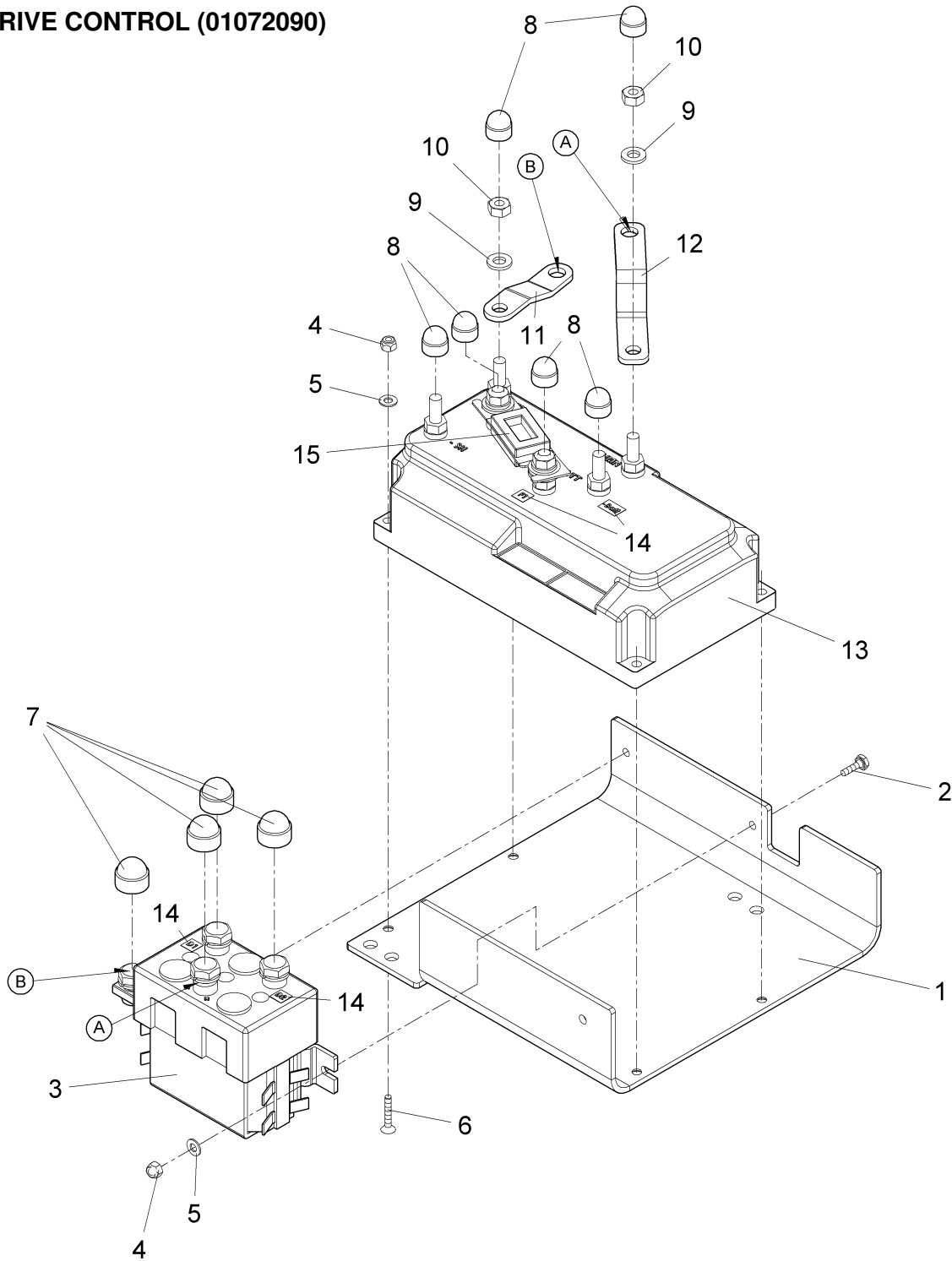
Electric (97107627)



**Electric (97107627)**

Item	Part number	Description	Qty.	Remarks
37	00053730	Washer	4	
38	00051510	Hexagon nut	8	
39	00042900	Washer	7	
40	03000550	ventilation duct	1	
41	00721090	Edge protection	2220mm	
42	00721090	Edge protection	700mm	
43	01075720	Connector	2	
44	00053290	Hexagon screw	4	
45	03000560	Support	1	
46	00074260	Hex.bolt	1	
47	00852420	Signal horn	1	
48	00073410	Bushing	1	
49	01056090	Handle	1	

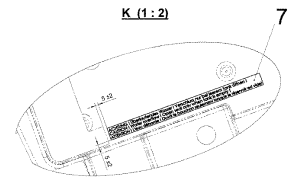
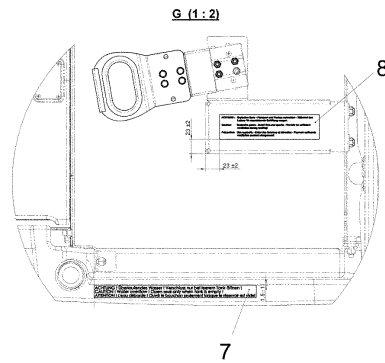
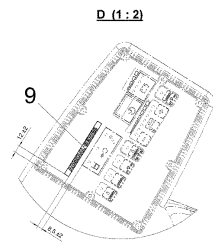
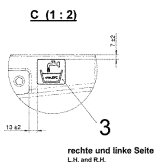
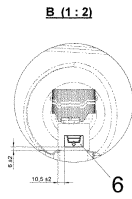
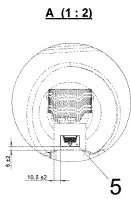
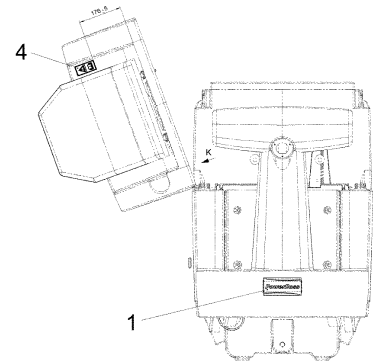
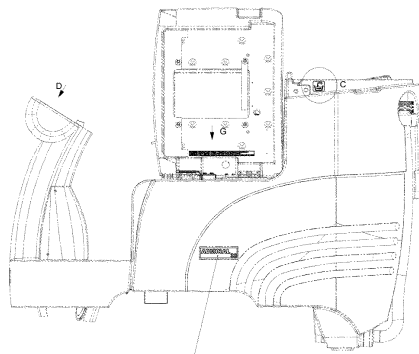
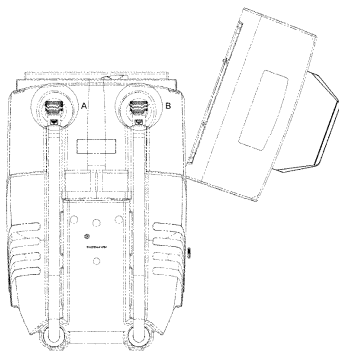
Retool kit DRIVE CONTROL (01072090)



**Retool kit DRIVE CONTROL (01072090)**

Item	Part number	Description	Qty.	Remarks
1	01079020	Angle plate	1	
2	00023080	Hex.bolt	2	
3	01079030	Reversion contactor	1	
4	00133830	Hex. Nut	6	
5	00053710	Washer	6	
6	00551120	Countersunk screw	4	
7	00131610	Lens cap	4	
8	00525910	Lens cap	6	
9	00053730	Washer	2	
10	00053330	Hexagon nut	2	
11	01079050	Current bar	1	Connection to connection point "FR" of drive control
12	01079040	Current bar	1	Connection to connection point "VMN" of drive control
13	01079060	Driving control	1	
14	03003000	Transparency	4	
15	01058960	Fuse	1	

Labels (97100077)



**Labels (97100077)**

Item	Part number	Description	Qty.	Remarks
1	03008970	Decal POWERBOSS	2	
2	03008990	Decal ADMIRAL 32	1	
3	01074400	Decal caustic solution tank	2	
4	01071710	Decal "Instruction manual"	1	
5	01170060	Decal FOUL WATER	1	
6	01170150	Decal SOLUTION TANK	1	
7	01175810	Decal CAUTION	2	
8	01174740	Decal explosive gazes	1	
9	03008010	Decal ADMIRAL SERIES	1	

## Warranty Information

Revision F  
Effective November 1, 2008  
PowerBoss Made Simple Industrial Limited Warranty

Minuteman International owner of PowerBoss warrants to the original purchaser/user that the product is free from defects in workmanship and materials under normal use. PowerBoss will, at its option, repair or replace without charge, parts that fail under normal use and service when operated and maintained in accordance with the applicable operation and instruction manuals. All warranty claims must be submitted through and approved by factory authorized repair stations.

This warranty does not apply to normal wear, or to items whose life is dependent on their use and care. Parts not manufactured by PowerBoss are covered by and subject to the warranties and/or guarantees of their manufacturers. Please contact Minuteman International for procedures in warranty claims against these manufacturers.

**Special warning to purchaser** -- Use of replacement parts not manufactured by PowerBoss or its designated licensees, will void all warranties expressed or implied. A potential health hazard exists without original equipment replacement.

All warranted items become the sole property of Minuteman International or PowerBoss or its original manufacturer, whichever the case may be.

PowerBoss disclaims any implied warranty, including the warranty of merchantability and the warranty of fitness for a particular purpose. PowerBoss assumes no responsibility for any special, incidental or consequential damages.

This limited warranty is applicable only in the U.S.A. and Canada, and is extended only to the original user/purchaser of this product. Customers outside the U.S.A. and Canada should contact their local distributor for export warranty policies. PowerBoss is not responsible for costs or repairs performed by persons other than those specifically authorized by PowerBoss. This warranty does not apply to damage from transportation, alterations by unauthorized persons, misuse or abuse of the equipment, use of non-compatible chemicals, or damage to property, or loss of income due to malfunctions of the product. If a difficulty develops with this machine, you should contact the dealer from whom it was purchased.

This warranty gives you specific legal rights, and you may have other rights, which vary from state to state. Some states do not allow the exclusion or limitation of special, incidental or consequential damages, or limitations on how long an implied warranty lasts, so the above exclusions and limitations may not apply to you.

	Travel*	Labor	Parts	Engine	Extended Warranty	Costs
<b>Walk behinds</b>						
Battery sweepers	Ninety days	One year	One year	N/A	2 years Parts + Labor (or 2000 Hours)	2%
IC sweepers	Ninety days	One year	One year	Through manufacturer	2 years Parts + Labor (or 2000 Hours)	2%
Battery scrubbers	Ninety days	Two years	Three years	N/A	3 Years Parts + Labor (or 3000 Hours)	2%
<b>Riders</b>						
Battery scrubbers	Ninety days	Two years	Three years/2000 hrs	N/A	3 Years Parts + Labor (or 3000 Hours)	2%
IC sweeper/scrubbers	Ninety days	Six months	Two years/2000 hrs	Two years/3000 hrs**	2 years Parts + Labor (or 2000 Hours)	3%
IC sweepers	Ninety days	Six months	Four years/3000 hrs	Five years/3000 hrs**	4 Years Parts + 2 Years Labor (or 4000 Hours)	3%
<b>Exceptions</b>						
Apex series sweeper	Ninety days	One year	One year/1000 hrs	One year/1000 hrs**	2 years Parts + Labor (or 2000 Hours)	3%
6X sweeper	Ninety days	Six months	Two years/2000 hrs	Two years/2000 hours**	2 years Parts + Labor (or 2000 Hours)	3%

**Tank Bladders** Eight years/ no additional labor  
**Polypropylene plastic tanks** Ten years/ no additional labor  
**Batteries** 0-3 months full replacement, 4-12 prorated credit  
**Chargers** One-year replacement  
**Replacement parts** Ninety days

\*Two-hour cap

\*\*Through engine manufacturer. See section 3 of warranty manual for engine warranty exceptions

\*\*\* Based upon dealer's certification status

Extended Warranty MUST be signed up within 30 days of delivery to End User (Dealer has 1Year from Receiving Machine to Sign up extended Warranty)

Extended Warranty Cost is based on Invoice Price multiplied by the Percentage listed in the Extended Warranty Column

*All above labor and travel reimbursed at 65 or 75% of the published shop rate.*







***“The Power of Clean”***

**PowerBoss Is A Full Line Manufacturer Of Sweepers and Scrubbers For Industrial Facilities.**

PowerBoss, Inc 175 Anderson Street P.O. Box 1227- Aberdeen North Carolina 28315

Phone: 800-982-7141 - Fax: 1-800-277-7141 Local: 910-944-2105 Fax: 910-944-7409 e-mail: [techsupport@powerboss.com](mailto:techsupport@powerboss.com)

**A Member Of The Hako Group**